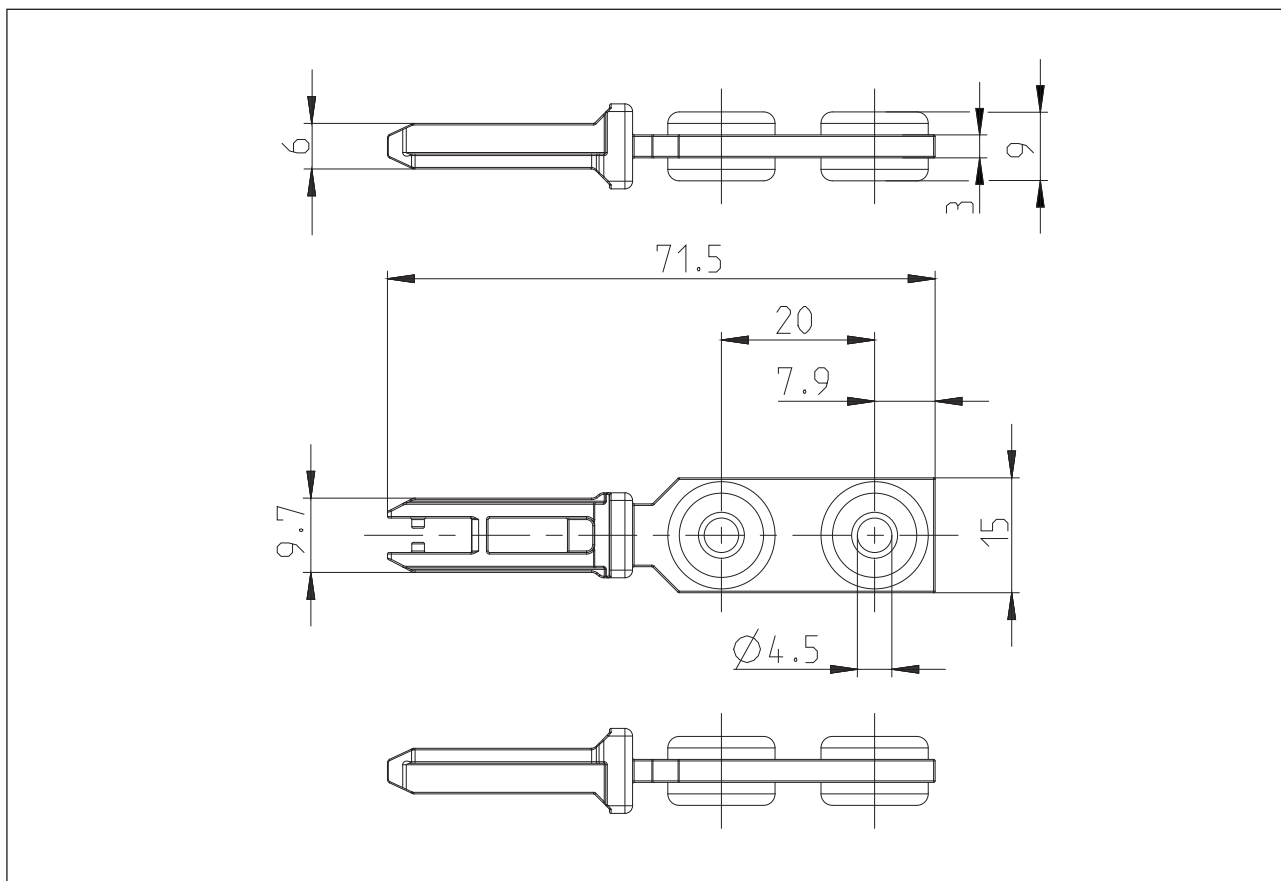


Actuator

Series for Safety switches SLC

Description **ACS-1**

Article number **3911742390**



Mechanical data

Actuator	Stainless steel (Niro) / PA
Grommet	CR
Socket	Steel
Minimum actuating radius	R_{\min} 800 mm

Notes

The positive lock mounting must be made with $\text{Ø} 12$ M4 screws (ISO7093 / DIN 9021)!