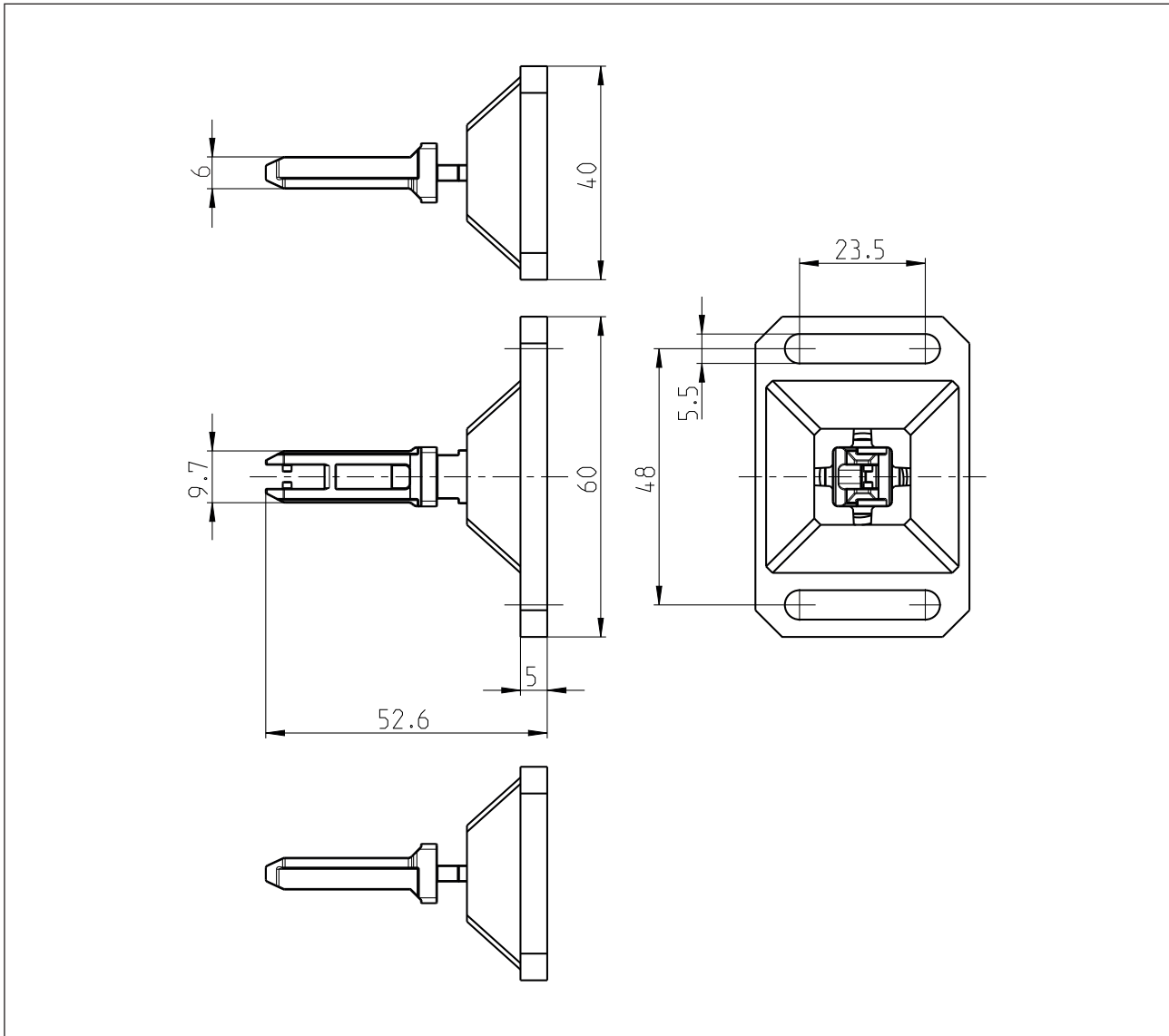


Actuator

Series for Safety switches SLC

Description **ACF-1**Article number **3911742391**

Mechanical data

| | |
|--------------------------|------------------|
| Actuator | Edelstahl (Niro) |
| Enclosure | GD-Zn |
| Minimum actuating radius | R_{min} 400 mm |

Notes

The actuator can be aligned with the mask of the SLC head opening by pressing it in and turning it in 90° steps.