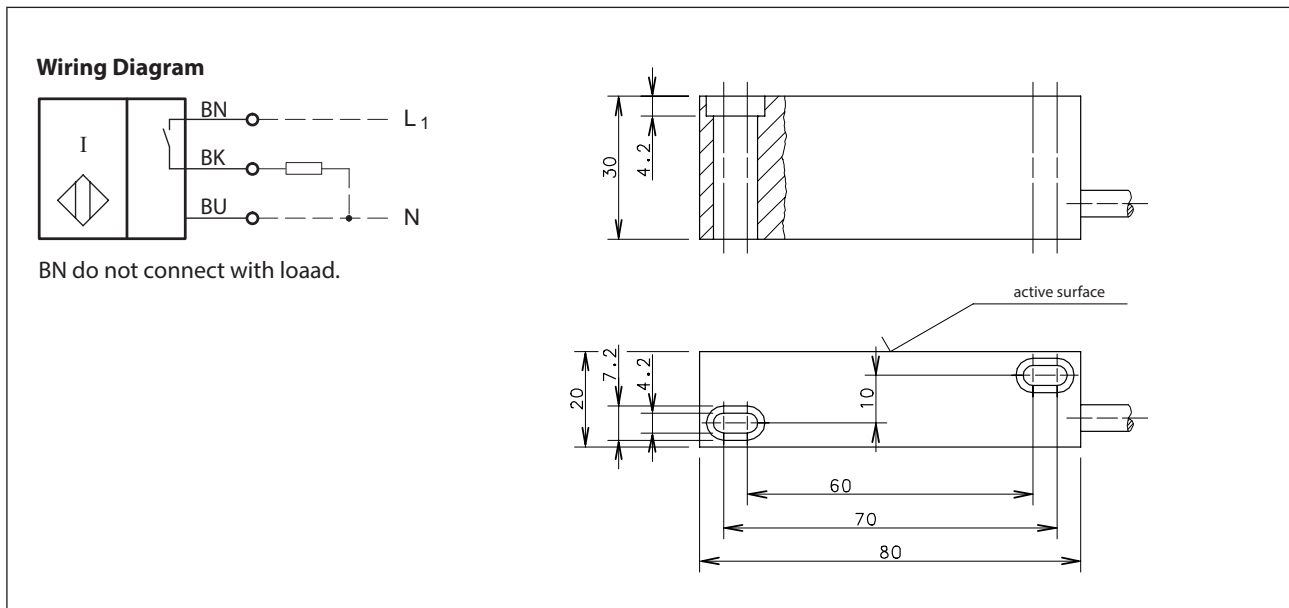


Inductive Proximity Switch Series E80

Description **KIN-E80TS/010-6**

Article number **6504558026**



Identifying characteristics in accordance with EN 60947-5-2

Electrical data		
Rated operating distance	S_n	10 mm
Standard target		30 mm x 30 mm, t = 1 mm, material: FE360
Real sensing distance	S_r	9 ... 11 mm
Assured operating distance	S_a	0 ... 8,1 mm
Switching element function		AC, N.O.
Repeat accuracy	R	≤ 5 %
Differential travel (hysteresis)	H	≈ 10 %
Operational voltage range	U_B	20 - 265 V AC
Voltage drop	U_d	≈ 5 V
Utilization category		AC-140
Rated operational current	I_e	500 mA
Off-state current	I_r	1 mA
No-load supply current	I_o	≤ 3 mA
Inrush current	I_k	3 A
Short-circuit protection		none
Frequency of operating cycles	f	400 Hz
Rated supply frequency		45 - 65 Hz
Mounting		non flush
False polarity protection		VDR, reverse polarity protection
Time delay before availability	t_v	< 100 ms
Protection class		II, totally insulated

Electromagnetic compatibility (EMC)	
Electromagnetic field test	IEC 61000-4-3
Electrostatic discharge test	IEC 61000-4-2
Electrical fast transient immunity test	IEC 61000-4-4
Radiated disturbance field strength	EN 55011

Mechanical Data	
Enclosure	PC, red
Ambient air temperature	-25 °C ... +70 °C
Type of protection	IP67
Degree of pollution	3 (pollution of the active region, there can may be a deterioration of the operating distance)
Termination type	Cable 3 x 0,5 mm ² ; PVC-Outer jacket, black

EU Conformity	
	acc. to directive 2014/35/EU