

# Technical Data

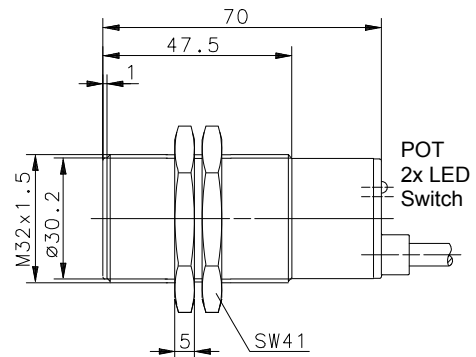
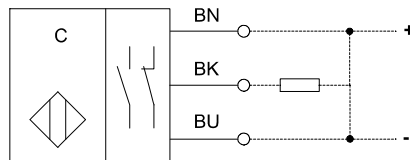
## Capacitive Proximity Switch

### Series M32

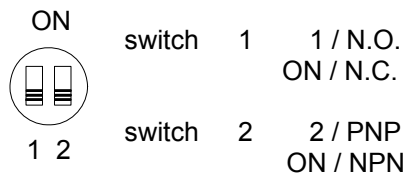
Description **KCB-M32DP/015-KLP6**

Article number **6507013013**

#### Wiring Diagram



#### Switch diagram for programming



#### Identifying characteristics in accordance with EN 60947-5-2

##### Electrical data

Rated operating distance	$S_n$	15 mm
Mounting		flush
Standard target		45 mm x 45 mm, t=1 mm, material: steel; connected to earth
Effective operating distance	$S_r$	3 – 15 mm, adjustable with potentiometer (POT); turn right = high sensitivity, turn left = low sensitivity
Assured operating distance	$S_a$	$0 \leq S_a \leq 0,8 \times S_r$
Switching element function		DC Push-pull circuit, N.O. / N.C. programmable
Repeat accuracy	R	$\leq 10 \%$
Differential travel (hysteresis)	H	$\leq 20 \%$
Frequency of operating cycles	f	$\approx 25$ Hz
Rated operational voltage	$U_e$	12 – 48 V DC
Operational voltage range	$U_B$	10 – 60 V DC
Rated insulation voltage	$U_i$	75 V DC
Rated impulse withstand voltage	$U_{imp}$	500 V
Voltage drop	$U_d$	$\leq 3$ V DC
Utilization category		DC 12
Rated operational current	$I_e$	400 mA DC
Minimum operational current	$I_m$	1 mA DC
Off-state current	$I_r$	$\leq 0,5$ mA DC
No-load supply current	$I_o$	$\leq 20$ mA DC
Switching element		permanent overload and s.c.p.
Short-circuit protection		pulsed
False polarity protection		yes, with permutation of +, -, output no damage occurs
Time delay before availability	$t_v$	$\leq 50$ ms

This document will not become the contractual basis; the details included herein do not constitute any descriptions of expected conditions, so that warranties/claims for defects on account of possible variations of the actual qualities from the qualities described herein are explicitly excluded. All rights reserved. Specifications subject to change without notice!

# Technical Data

## Capacitive Proximity Switch



### Electromagnetic compatibility (EMC)

Electromagnetic field test	IEC 61000-4-3	3V/m, 80...1000MHz
Electrostatic discharge test	IEC 61000-4-2	4kV CD, 8kV AD
Electrical fast transient immunity test (Burst)	IEC 61000-4-4	1kV / coupling clamp
Impulse voltage withstand ability (Surge)	IEC 61000-4-5	500V, 1,2/50µs @ Ri = 42Ω

### Mechanical Data

Enclosure	Brass, nickel plated
Front cap	PTFE
End cap	PA 6.6
Ambient air temperature	-25 °C ... +70 °C
Type of protection	IP65
Pollution degree	3 (Pollution of the active zone can cause impairments of the operating distances.)
Indication	Output ON: LED = yellow Power ON: LED = green
Termination type	Cable 3 x 0,5 mm <sup>2</sup> x 6 m
For attachment	2 x hexagon nut (brass, nickel plated)

### EU Conformity

acc. to Directive 2004 / 108 / EC

This document will not become the contractual basis; the details included herein do not constitute any descriptions of expected conditions, so that warranties/claims for defects on account of possible variations of the actual qualities from the qualities described herein are explicitly excluded. All rights reserved. Specifications subject to change without notice!

Date of issue: 09.04.2013 / Page 2 of 2  
Document : 6507013013\_en / Last update: 1 / 0146-11