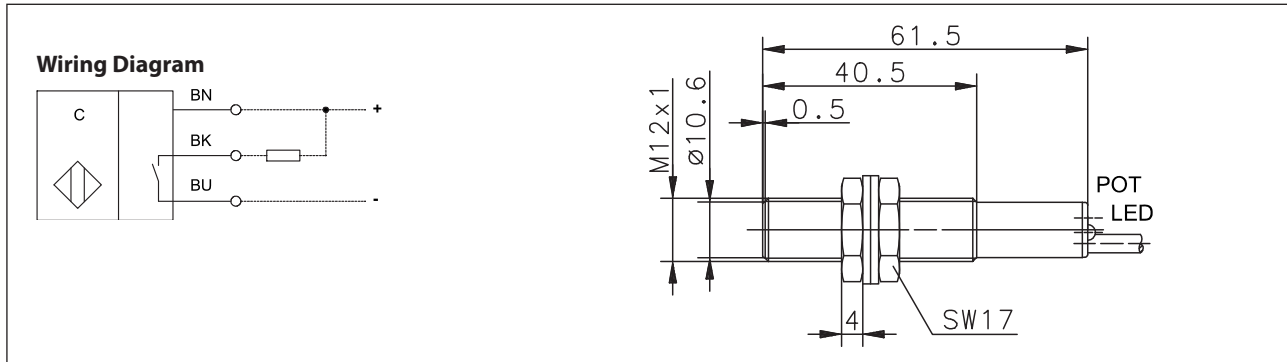


Capacitive Proximity Switch Series M12

Description **KCB-M12NS/002-KLP2**

Article number **6507303001**



Identifying characteristics in accordance with EN 60947-5-2

| Electrical data | | |
|----------------------------------|-----------|---|
| Rated operating distance | S_n | 2 mm |
| Mounting | | flush |
| Standard target | | 12 x 12 x 1 mm; material: steel; connected to earth |
| Effective operating distance | S_r | 0,4-2 mm; S_r adjustable with potentiometer (POT); turn right \triangleq high sensitivity, turn left \triangleq low sensitivity |
| Assured operating distance | S_a | $0 \leq S_a \leq 0,8 \cdot S_r$ |
| Switching element function | | N.O. |
| Repeat accuracy | R | $\leq 0,1 \cdot S_r$ |
| Differential travel (hysteresis) | H | $\leq 0,2 \cdot S_r$ |
| Frequency of operating cycles | f | ≈ 25 Hz |
| Rate operational voltage | U_e | 12 V - 24 V DC |
| Operational voltage range | U_B | 10 V - 36 V DC |
| Rated insulation voltage | U_i | 75 V DC |
| Rated impulse withstand voltage | U_{imp} | 500 V |
| Voltage drop | U_d | $\leq 1,5$ V DC |
| Utilization category | | DC-13 |
| Rated operational current | I_e | 200 mA DC |
| Minimum operational current | I_m | ≥ 1 mA DC |
| Off-state current | I_r | $\leq 0,5$ mA DC |
| No-load supply current | I_o | ≤ 15 mA DC |
| Switching element | | permanent overload and s.c.p. |
| Short-circuit protection | | pulsed |
| False polarity protection | | with permutation of +, -, output no damage occurs |
| Time delay before availability | t_v | ≤ 50 ms |

| Electromagnetic compatibility (EMC) | | |
|---|---------------|------------------------------|
| Electromagnetic field test | IEC 61000-4-3 | 3 V/m, 80...1000 MHz |
| Electrostatic discharge test | IEC 61000-4-2 | 4 kV CD / 8 kV AD |
| Electrical fast transient immunity test (Burst) | IEC 61000-4-4 | 1kV coupling clamp |
| Impulse voltage withstand ability (Surge) | IEC 61000-4-5 | 500 V, 1,2/50 µs @ Ri = 42 Ω |
| Radiated disturbance field strength | EN 55011 | ≤ 40 dB (µV/m) |

| Mechanical Data | |
|-------------------------|--|
| Enclosure | Brass, nickel plated |
| Front cap | PTFE |
| End cap | PA6.6, black |
| Ambient air temperature | -25 °C ... +70 °C |
| Type of protection | IP65 |
| Pollution degree | 3 (Pollution of the optic can cause impairments of the operating distances.) |
| Indication | Output ON = LED yellow |
| Termination type | Cable 3 x 0,5 mm ² x 2 m, PVC-outer jacket black |
| For attachment | Hexagon nut, brass, nickel plated (with toothed washers A2) |

| EU Conformity |
|--|
| acc. to directive 2014/30/EU (EMC-Directive) |