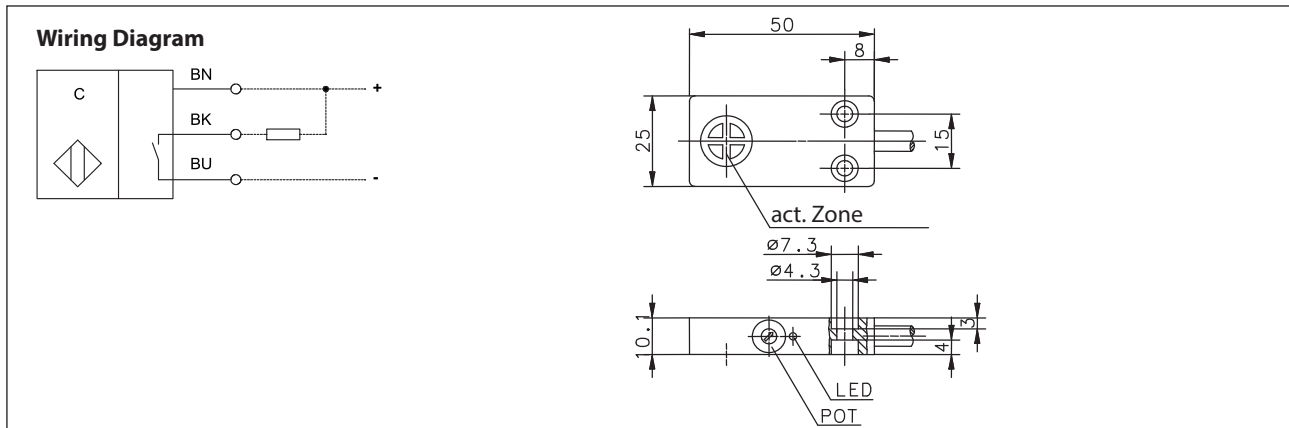


## Capacitive Proximity Switch Series E50

Description **KCB-E50NS/008-KLP2**

Article number **6507390001**



### Identifying characteristics in accordance with EN 60947-5-2

Electrical data		
Rated operating distance	$S_n$	8 mm
Mounting		flush
Standard target		25 x 20 x 1 mm; material: steel; connected to earth
Effective operating distance	$S_r$	3-8 mm; $S_r$ adjustable with potentiometer (POT); turn right $\triangleq$ high sensitivity, turn left $\triangleq$ low sensitivity
Assured operating distance	$S_a$	$0 \leq S_a \leq 0,8 \cdot S_r$
Switching element function		N.O.
Repeat accuracy	R	$\leq 0,1 \cdot S_r$
Differential travel (hysteresis)	H	$\leq 0,2 \cdot S_r$
Frequency of operating cycles	f	$\approx 25$ Hz
Rate doperational voltage	$U_e$	12 V - 24 V DC
Operational voltage range	$U_b$	10 V - 36 V DC
Rated insulation voltage	$U_i$	75 V DC
Rated impulse withstand voltage	$U_{imp}$	500 V
Voltage drop	$U_d$	$\leq 1,5$ V DC
Utilization category		DC-13 (Switching element)
Rated operational current	$I_e$	$\leq 200$ mA DC
Minimum operational current	$I_m$	$\geq 1$ mA DC
Off-state current	$I_r$	$\leq 0,5$ mA DC
No-load supply current	$I_o$	$\leq 15$ mA DC
Switching element		permanent overload and s.c.p.
Short-circuit protection		pulsed
Rated supply frequency		DC
False polarity protection		with permutation of +, -, output no damage occurs
Time delay before availability	$t_v$	$\leq 50$ ms

<b>Electromagnetic compatibility (EMC)</b>		
Electromagnetic field test	IEC 61000-4-3	3 V/m, 80...1000 MHz
Electrostatic discharge test	IEC 61000-4-2	8 kV AD
Electrical fast transient immunity test (Burst)	IEC 61000-4-4	1kV coupling clamp
Impulse voltage withstand ability (Surge)	IEC 61000-4-5	500 V, 1,2/50 $\mu$ s @ Ri = 42 $\Omega$
Radiated disturbance field strength	EN 55011	$\leq$ 40 dB ( $\mu$ V/m)

<b>Mechanical Data</b>	
Enclosure	PBT, black
Ambient air temperature	-25 °C ... +70 °C
Type of protection	IP65
Pollution degree	3 (Pollution of the optic can cause impairments of the operating distances.)
Indication	Output ON = LED yellow
Termination type	Cable 3 x 0,34 mm <sup>2</sup> x 2 m, PVC-outer jacket black

<b>EU Conformity</b>	
acc. to directive 2004 / 108 / EC	