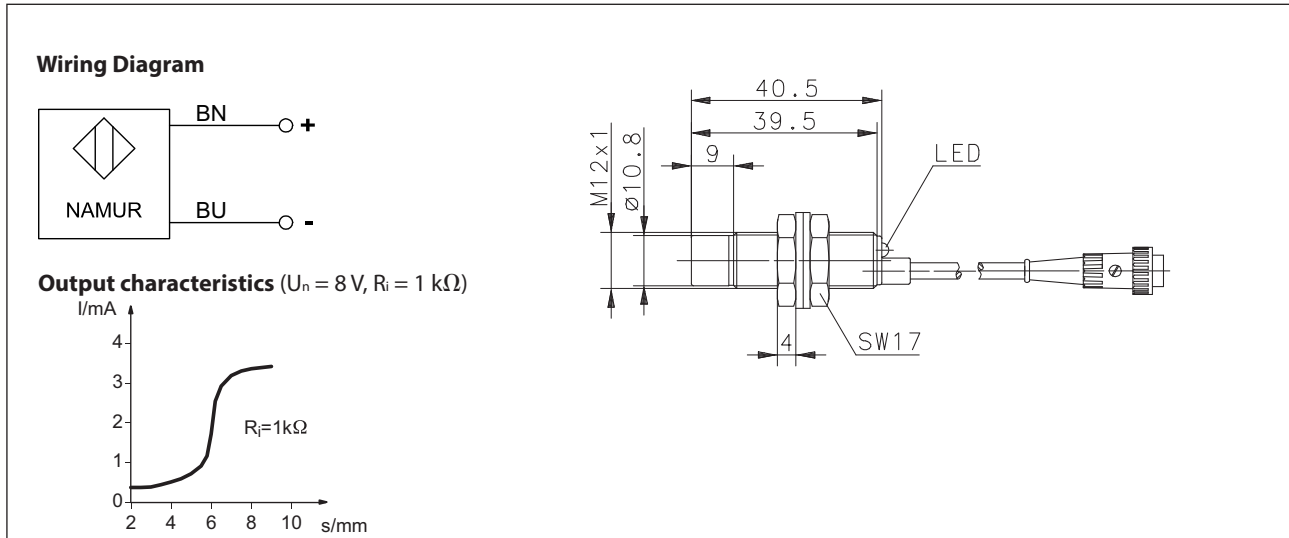


Inductive Proximity Switch - Namur Series M12

Description **KIN-M12EA/006-L2E**

Article number **6601625262**



Identifying characteristics in accordance with DIN EN 60947-5-6

Electrical data		
Mounting		non flush
Rated operating distance	S_n	6 mm (switching point 1,5 mA @ $U_n = 8\text{ V}$ und $R_i = 1\text{ k}\Omega$)
Standard target		18 mm x 18 mm, t = 1 mm, Material: FE360
Repeat accuracy	R	$\leq 5\%$
Rated voltage	U_n	DC 8 V
Rated operational voltage	U_e	DC 5 ... 25 V
Ripple		$\leq 5\%$
Current input		> 2,5 mA ($U_n = 8\text{ V}$ und $R_i = 1\text{ k}\Omega$) sensing face free < 1 mA ($U_n = 8\text{ V}$ und $R_i = 1\text{ k}\Omega$) sensing face damping
Frequency of operating cycles	f	$\leq 200\text{ Hz}$
Self-inductance	L_i	100 μH
Self-capacitance	C_i	55 nF

Mechanical Data	
Front cap	PBT, black
Enclosure	Brass, nickel plated
End cap	PA 6, blue
Ambient air temperature	-25 °C ... +70 °C
Indication	LED, yellow
Type of protection	IP67
Termination type	Cable 2 x 0,25 mm ² x 2 m, PVC - Outer jacket, blue; with Preh-connector 3-pole
For attachment	2 x hexagon nut and 2 x toothed washer

BERNSTEIN AG · Hans-Bernstein-Straße 1 · 32457 Porta Westfalica · www.bernstein.eu

Technical modifications and errors excepted.

The technical datasheet corresponds to the technical state as of 2016-10-27 and will not be removed in case of changes.

EU Conformity

acc. to directive 2014/30/EU

EMC

acc. to EN 60947-5-2