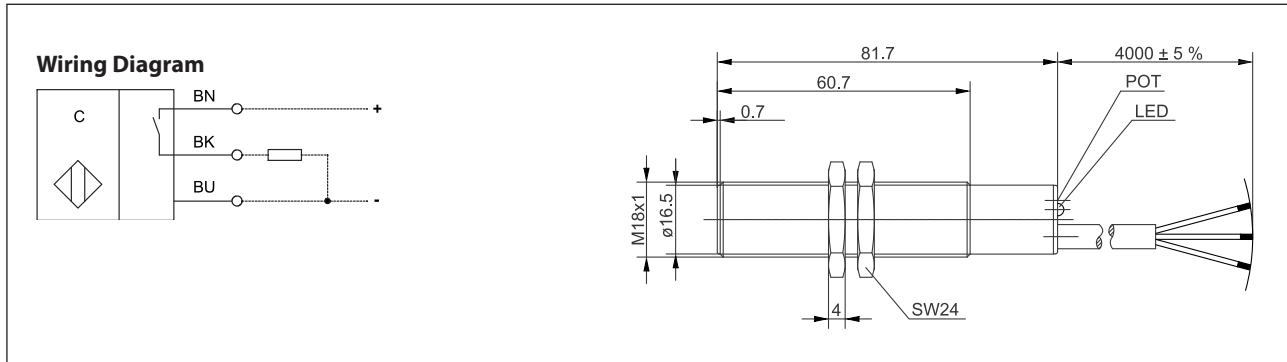


Capacitive Proximity Switch Series M18

Description **KCB-M18PS/005-KL4P**

Article number **6607905916**



Identifying characteristics in accordance with EN 60947-5-2

Electrical data		
Rated operating distance	S_n	5 mm
Mounting		flush
Standard target		30 x 30 x 1 mm; material: steel; connected to earth
Effective operating distance	S_r	$\approx 1 - 5$ mm; S_r adjustable with potentiometer (POT); turn right \triangleq high sensitivity, turn left \triangleq low sensitivity
Assured operating distance	S_a	$0 \leq S_a \leq 0,8 \cdot S_r$
Switching element function		N.O.
Repeat accuracy	R	$\leq 0,1 \cdot S_r$
Differential travel (hysteresis)	H	$\leq 0,2 \cdot S_r$
Frequency of operating cycles	f	≈ 25 Hz
Rate operational voltage	U_e	12 V - 48 V DC
Operational voltage range	U_b	10 V - 60 V DC
Rated insulation voltage	U_i	75 V DC
Rated impulse withstand voltage	U_{imp}	500 V
Voltage drop	U_d	≤ 2 V DC
Utilization category		DC-13
Rated operational current	I_e	≤ 200 mA DC
Minimum operational current	I_m	≥ 1 mA DC
Off-state current	I_r	$\leq 0,5$ mA DC
No-load supply current	I_o	≤ 20 mA DC
Switching element		permanent overload and s.c.p.
Short-circuit protection		pulsed
False polarity protection		with permutation of +, -, output no damage occurs
Time delay before availability	t_v	≤ 50 ms

Electromagnetic compatibility (EMC)		
Electromagnetic field test	IEC 61000-4-3	3 V/m, 80...1000 MHz
Electrostatic discharge test	IEC 61000-4-2	4 kV CD
Electrical fast transient immunity test (Burst)	IEC 61000-4-4	1kV coupling clamp
Impulse voltage withstand ability (Surge)	IEC 61000-4-5	500 V, 1,2/50 µs @ Ri = 42 Ω

Mechanical Data	
Enclosure	Brass, nickel plated
Front cap	PTFE
End cap	PA6.6, black
Ambient air temperature	-25 °C ... +70 °C
Type of protection	IP65
Pollution degree	3 (Pollution of the optic can cause impairments of the operating distances.)
Indication	Supply voltage: LED green Output ON: LED yellow
Termination type	Cable 3 x 0,5 mm ² ; PVC-outer jacket, black
For attachment	2 x Hexagon nut, brass, nickel plated

EU Conformity	
acc. to directive 2004 / 108 / EC	