

# Technical Data

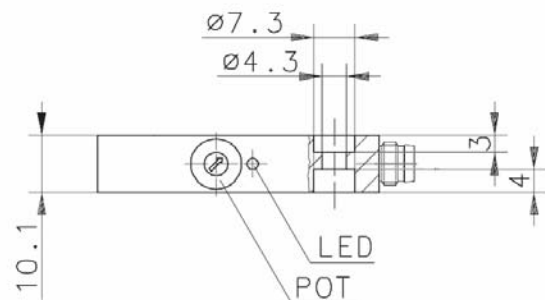
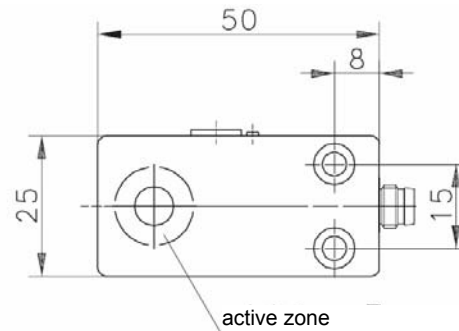
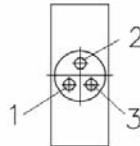
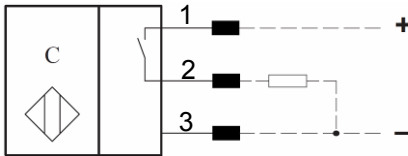
## Capacitive Proximity Switch

### Series E50

Description **KCB-E50PS/008-KLPSM8**

Article number **6607990842**

#### Wiring Diagram



#### Identifying characteristics in accordance with EN 60947-5-2

##### Electrical data

Rated operating distance	$S_n$	8 mm
Mounting		flush
Standard target		25 mm x 20 mm, t=1 mm, material: steel; connected to earth
Effective operating distance	$S_r$	bis 8 mm
		adjustable with potentiometer (POT); turn right = high sensitivity, turn left = low sensitivity
Assured operating distance	$S_a$	$0 \leq S_a \leq 0,8 \times S_r$
Switching element function		DC, N.O.
Repeat accuracy	R	$\leq 0,1 \times S_r$
Differential travel (hysteresis)	H	$\leq 0,2 \times S_r$
Frequency of operating cycles	f	$\approx 25\text{Hz}$
Rated operational voltage	$U_e$	12 – 24V DC
Operational voltage range	$U_B$	10 – 36V DC
Rated insulation voltage	$U_i$	75V DC
Rated impulse withstand voltage	$U_{imp}$	500V
Voltage drop	$U_d$	$\leq 1,5\text{V DC}$
Utilization category		DC 13
Rated operational current	$I_e$	200mA DC
Minimum operational current	$I_m$	$\geq 1\text{mA DC}$
Off-state current	$I_r$	$\leq 0,5\text{mA DC}$
No-load supply current	$I_o$	$\leq 15\text{mA DC}$
Switching element		permanent overload and s.c.p.
Short-circuit protection		pulsed
False polarity protection		yes, with permutation of +, -, output no damage occurs
Time delay before availability	$t_v$	$\leq 50\text{ms}$

This document will not become the contractual basis; the details included herein do not constitute any descriptions of expected conditions, so that warranties/claims for defects on account of possible variations of the actual qualities from the qualities described herein are explicitly excluded. All rights reserved. Specifications subject to change without notice!

Date of issue: 11.01.2012 / Page 1 of 2  
Document : 6607990842\_en / Last update: 1 / 0469-10

# Technical Data

## Capacitive Proximity Switch



<b>Electromagnetic compatibility (EMC)</b>		
Electromagnetic field test	IEC 61000-4-3	3V/m, 80...1000MHz
Electrostatic discharge test	IEC 61000-4-2	8kV AD
Electrical fast transient immunity test (Burst)	IEC 61000-4-4	1kV / coupling clamp
Impulse voltage withstand ability (Surge)	IEC 61000-4-5	500V, 1,2/50µs @ Ri = 42Ω
Radiated disturbance field strength	EN 55011	≤ 40dB (µV/m)

<b>Mechanical Data</b>	
Enclosure	PBT, black
Ambient air temperature	-25°C ... +70°C
Type of protection	IP65
Pollution degree	3 (Pollution of the active zone can cause impairments of the operating distances.)
Indication	LED, yellow
Termination type	connector

<b>EU Conformity</b>	acc. to directive 2004/108/EC
----------------------	-------------------------------

This document will not become the contractual basis; the details included herein do not constitute any descriptions of expected conditions, so that warranties/claims for defects on account of possible variations of the actual qualities from the qualities described herein are explicitly excluded. All rights reserved. Specifications subject to change without notice!

Date of issue: 11.01.2012 / Page 2 of 2  
Document : 6607990842\_en / Last update: 1 / 0469-10