



Capacitive Evaluation Unit

Series 70-14-...-BB - NPN
Series 80-14-...-BB - PNP

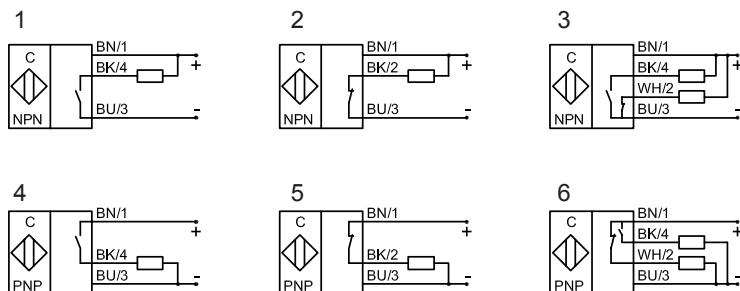
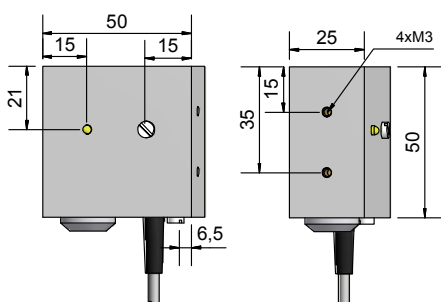
- Housing 50 x 50 x 25 mm
- For capacitive sensors KS-250-M18/...
 - Hysteresis adjustable

Certificate:



Technical data

Electrical version	3-wire DC	3-wire DC
Output function	Normally open	Normally closed
Type NPN	KSA-70-14-M18/30-S-BB	
Art.-No.	563 100	
Connection diagram No.	1	
Type PNP	KSA-80-14-M18/30-S-BB	KSA-80-14-M18/30-Ö-BB
Art.-No.	563 500	563 700
Connection diagram No.	4	5
Operating voltage (U_B)	10...35 V DC	10...35 V DC
Output current max. (I_o)	400 mA	400 mA
Voltage drop max. (U_d)	≤ 2.5 V	≤ 2.5 V
Permitted residual ripple max.	10 %	10 %
No-load current (I_o)	Typ. 10 mA	Typ. 10 mA
Frequency of operating cycles max.	50 Hz	50 Hz
Permitted ambient temperature	-25...+70 °C	-25...+70 °C
LED-display	Yellow	Yellow
Protective circuit	Built-in	Built-in
Degree of protection IEC 60529	IP 67	IP 67
Norm	EN 60947-5-2	EN 60947-5-2
Connection cable	2 m PVC, 3 x 0.14 mm ²	2 m PVC, 3 x 0.14 mm ²
Housing material	PA	PA



Made in Germany

All specifications are subject to change without notice. (04/2016)