



PER LeVeL Capacitive evaluation unit - KFA

NPN output
PNP output

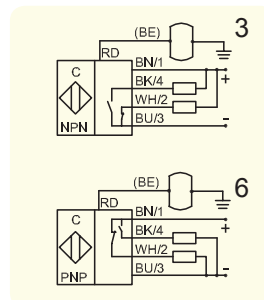
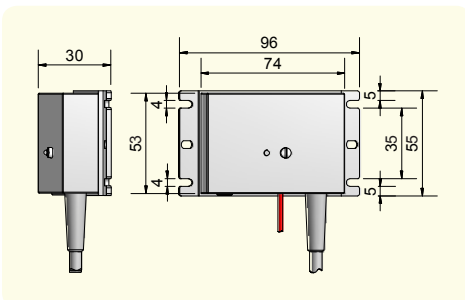
- For capacitive filling level probes with 1 limit value switching point: KFS-51-“L“-15-Y55
- Operating voltage: 18...36 V DC



Technical data

Electrical version	4 wire DC
Output function	Antivalent
Type NPN	KFA-5-1-L-N-A-Z02-Y50
Art. No	AF 0068
Connection diagram No.	3
Type PNP	KFA-5-1-L-P-A-Z02-Y50
Art. No.	AF 0064
Connection diagram No.	6
Operating voltage (U_b)	18...36 V DC
Voltage drop max. (U_d)	≤ 2.5 V
Permitted ripple max.	25 %
Operating current (I_o)	2 x 0...250 mA
No-load current (I_o)	Typ. 75 mA
Switching frequency max.	4 Hz
Permitted ambient temperature	-25...+55 °C
LED display	Green / yellow
Protection circuit	Built-in
Degree of protection IEC 60529	IP 54
Norm	EN 60947-5-2
Connection cable	2 m, PVC, 4 x 0.34 mm ²
Housing material	PA

All specifications are subject to change without notice. (11/2016)



Made in Germany