



## TRUE L&V&L Capacitive Evaluation Unit - KFA Analogue frequency output 0...10 kHz

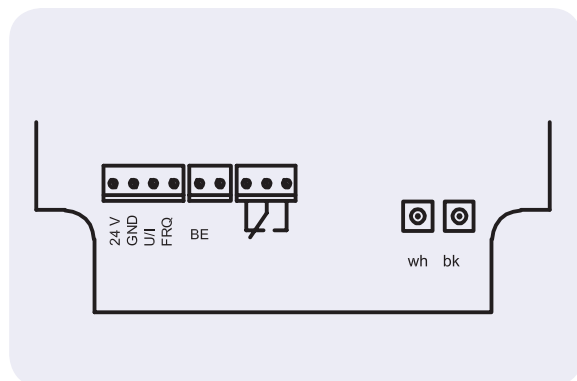
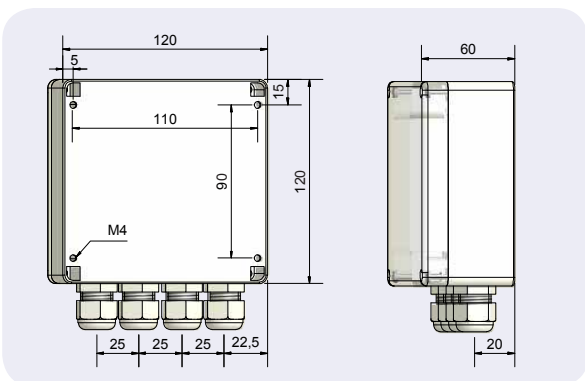
- For capacitive level probes with analogue measuring range KFS-1-...-Y75
- Operating voltage 18...36 V DC
- Potential-free change over contact as signal output
- For materials with  $\epsilon_r$  1,2...30



### Technical data

Output function	Analogue
Type Analogue	KFA-1-200-XXL-FL-Y70
Art.- No.	AF 0125
Type Analogue	KFA-1-500-XXL-FL-Y70
Art.-No.	AF 0126
Type Analogue	KFA-1-1000-XXL-FL-Y70
Art.-No.	AF 0127
Type Analogue	KFA-1-2000-XXL-FL-Y70
Art.-No.	AF 0128
Operating voltage ( $U_B$ )	18...36 V DC
Permitted residual ripple max.	25 %
Analogue output	0...10 kHz / TTL-level
Power consumption (outputs no-load)	Typ. 3 W
Permitted ambient temperature	-25...+55 °C
LED-Display	Green / $U_B$ standby
LED-Display	Green-yellow / filling level-tendency
Protective circuit	Built-in
Degree of protection IEC 60529	IP 54
Norm	EN 60947-5-2*
Connection	Sockets
Housing material	ABS

\*Where applicable



Made in Germany

All specifications are subject to change without notice. (11/2016)