



Inductive Sensors

Series 20 - NPN - StEx- ATEX Series 10 - PNP - StEx - ATEX

Housing M 30 x 1.5

- Housing material: Brass
- For use in areas with the risk of dust explosion, zone 20
- For use in areas with the risk of gas explosion, zone 1
- Sensing distance S_n 10 mm

DMT 01 ATEX E 157

IECEX BVS 07.0015

II 2 G Ex mb IIC T4 Gb

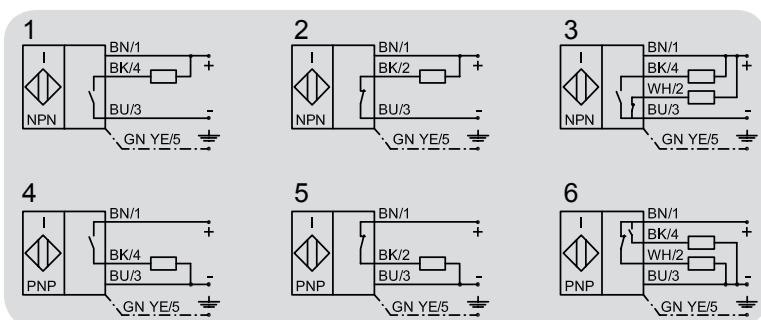
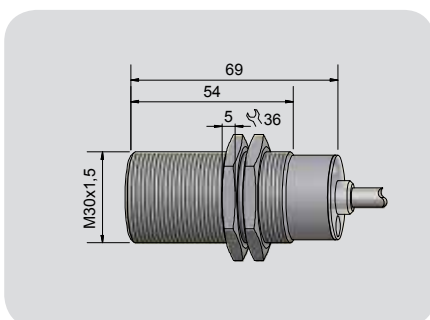
Ex mb IIC T4 Gb

II 1/2 D Ex ta/tb IIIC T101°C Da/Db

Ex ta/tb IIIC T101°C Da/Db



Technical data	Flush mountable
Operating distance S_n	10 mm
Electrical version	4-wire DC
Output	Antivalent
Type NPN	IAS-20-A14-A-StEx
Art.-No.	IA 0137
Connection diagram No.	3
Type PNP	IAS-10-A14-A-StEx
Art.-No.	IA 0109
Connection diagram No.	6
Operating voltage (U_B)	10...30 V DC
Voltage drop max. (U_a)	≤ 2.5 V
Permitted residual ripple max.	10 %
Operating current (I_a)	2 x 0...150 mA
No-load current (I_o)	Typ. 15 mA
Frequency of operating cycles max.	1 kHz
Permitted ambient temperature	-20...+90 °C
LED-display	Green / yellow
Protective circuit	Built-in
Degree of protection IEC 60529	IP 67
Norm	EN 60 947-5-2
Connection cable	2 m, PVC, 5 x 0.34 mm ²
Housing material	Brass
Active surface	PTFE (FDA 21 CFR 177.1550)
Lid	PC (FDA 21 CFR 177.1580)
Accessories (delivered with the sensor)	2 nuts M 30 x 1.5



Made in Germany

All specifications are subject to change without notice. (09/2016)