



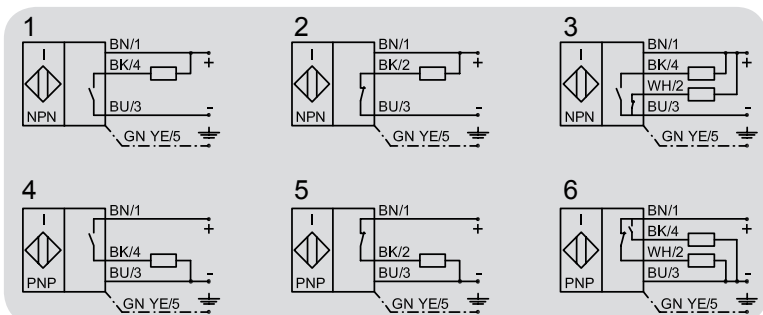
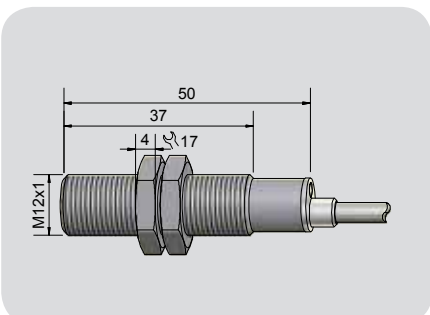
**Inductive Sensors**  
**Series 20 - NPN - StEx- ATEX    Series 10 - PNP - StEx - ATEX**

- Housing M 12 x 1
- For use in areas with the risk of dust explosion, zone 20
  - For use in areas with the risk of gas explosion, zone 1
  - Sensing distance  $S_n$  2 mm

DMT 01 ATEX E 157	IECEX BVS 07.0015
II 2 G Ex mb IIC T4 Gb	Ex mb IIC T4 Gb
II 1/2 D Ex ta/tb IIIC T101°C Da/Db	Ex ta/tb IIIC T101°C Da/Db



<b>Technical data</b>	Flush mountable
Operating distance $S_n$	2 mm
Electrical version	3-wire DC
Output	Normally open
<b>Type NPN</b>	<b>IAS-20-A12-S-StEx</b>
<b>Art.-No.</b>	<b>IA 0138</b>
Connection diagram No.	1
<b>Type PNP</b>	<b>IAS-10-A12-S-StEx</b>
<b>Art.-No.</b>	<b>IA 0111</b>
Connection diagram No.	4
Operating voltage ( $U_B$ )	10...30 V DC
Voltage drop max. ( $U_a$ )	≤ 2.5 V
Permitted residual ripple max.	10 %
Operating current ( $I_a$ )	0...150 mA
No-load current ( $I_o$ )	Typ. 15 mA
Frequency of operating cycles max.	2 kHz
Permitted ambient temperature	-20...+90 °C
LED-display	Yellow
Protective circuit	Built-in
Degree of protection IEC 60529	IP 67
Norm	EN 60 947-5-2
Connection cable	2 m, PVC, 4 x 0.14 mm <sup>2</sup>
Housing material	Stainless steel VA No. 1.4305 / AISI 303
Active surface	PTFE (FDA 21 CFR 177.1550)
Lid	PC (FDA 21 CFR 177.1580)
<b>Accessories</b> (delivered with the sensor)	2 nuts M 12 x 1



Made in Germany

All specifications are subject to change without notice. (09/2016)