



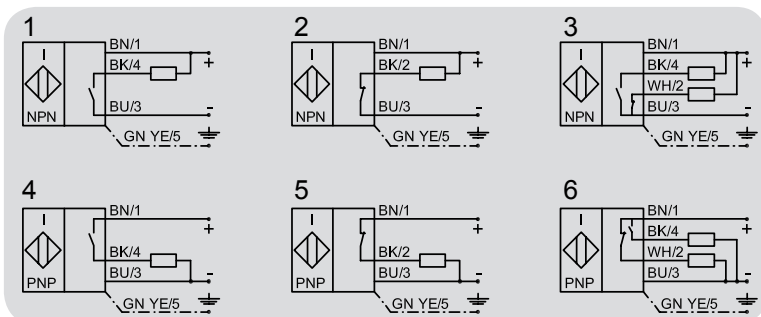
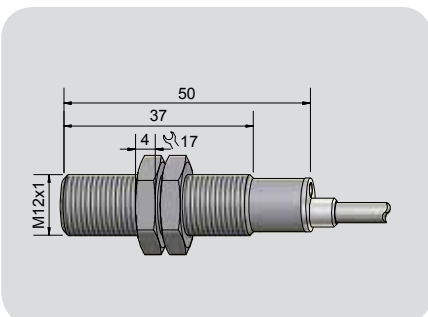
Inductive Sensors
Series 20 - NPN - StEx- ATEX Series 10 - PNP - StEx - ATEX

- Housing M 12 x 1
- For use in areas with the risk of dust explosion, zone 20
 - For use in areas with the risk of gas explosion, zone 1
 - Sensing distance S_n 2 mm

DMT 01 ATEX E 157	IECEX BVS 07.0015
II 2 G Ex mb IIC T4 Gb	Ex mb IIC T4 Gb
II 1/2 D Ex ta/tb IIIC T101°C Da/Db	Ex ta/tb IIIC T101°C Da/Db



Technical data	Flush mountable
Operating distance S_n	2 mm
Electrical version	3-wire DC
Output	Normally open
Type NPN	IAS-20-A12-S-StEx
Art.-No.	IA 0138
Connection diagram No.	1
Type PNP	IAS-10-A12-S-StEx
Art.-No.	IA 0111
Connection diagram No.	4
Operating voltage (U_B)	10...30 V DC
Voltage drop max. (U_a)	≤ 2.5 V
Permitted residual ripple max.	10 %
Operating current (I_a)	0...150 mA
No-load current (I_o)	Typ. 15 mA
Frequency of operating cycles max.	2 kHz
Permitted ambient temperature	-20...+90 °C
LED-display	Yellow
Protective circuit	Built-in
Degree of protection IEC 60529	IP 67
Norm	EN 60 947-5-2
Connection cable	2 m, PVC, 4 x 0.14 mm ²
Housing material	Stainless steel VA No. 1.4305 / AISI 303
Active surface	PTFE (FDA 21 CFR 177.1550)
Lid	PC (FDA 21 CFR 177.1580)
Accessories (delivered with the sensor)	2 nuts M 12 x 1



Made in Germany

All specifications are subject to change without notice. (09/2016)