



Evaluation Unit For Inductive High-Temperature Sensors Series - 250 • PNP

- Housing 98.5 x 64 x 34.5 mm
- For connection to inductive high-temperature sensors IS-250-...
 - Housing material: Aluminium

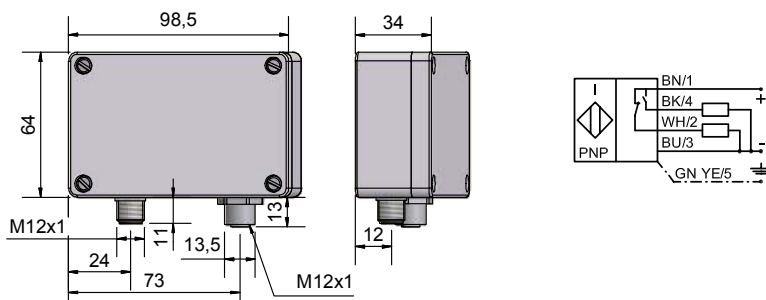
Certificate:



Technical data

| Electrical version | 5-pin DC | 5-pin DC | 5-pin DC |
|------------------------------------|-------------------------------|-------------------------------|------------------------------------|
| Output | Antivalent (NO + NC) | Antivalent (NO + NC) | Antivalent (NO + NC) |
| Type PNP | ISA-10-250-A-Y10-M12 for 2 m* | ISA-10-250-A-Y10-M18 for 2 m* | ISA-10-250-A-Y10-M30/M32 for 2 m* |
| Art.-No. | IA 0133 | IA 0132 | IA 0130 |
| Type PNP | | ISA-10-250-A-Y10-M18 for 5 m* | ISA-10-250-A-Y10-M30/M32 for 5 m* |
| Art. No. | | IA 0209 | IA 0207 |
| Type PNP | | | ISA-10-250-A-Y10-M30/M32 for 10 m* |
| Art. No. | | | IA 0208 |
| Operating voltage (U_B) | 10...35 V DC | 10...35 V DC | 10...35 V DC |
| Output current max. (I_o) | 2 x 250 mA | 2 x 250 mA | 2 x 250 mA |
| Voltage drop max. (U_o) | ≤ 2.5 V | ≤ 2.5 V | ≤ 2.5 V |
| Permitted residual ripple max. | 10 % | 10 % | 10 % |
| No-load current (I_o) | Typ. 15 mA | Typ. 15 mA | Typ. 15 mA |
| Frequency of operating cycles max. | 50 Hz | 50 Hz | 50 Hz |
| Permitted ambient temperature | -25...+70 °C | -25...+70 °C | -25...+70 °C |
| Protective circuit | Built-in | Built-in | Built-in |
| Degree of protection IEC 60529 | IP 67 | IP 67 | IP 67 |
| Norm | EN 60 947-5-2 | EN 60 947-5-2 | EN 60 947-5-2 |
| Connection | Connector M 12 x 1 | Connector M 12 x 1 | Connector M 12 x 1 |
| Housing material | AL | AL | AL |

*Connection cable between high-temperature sensor and evaluation unit



Made in Germany

All specifications are subject to change without notice. (11/2011)