



Inductive Sensors Series 10 - PNP

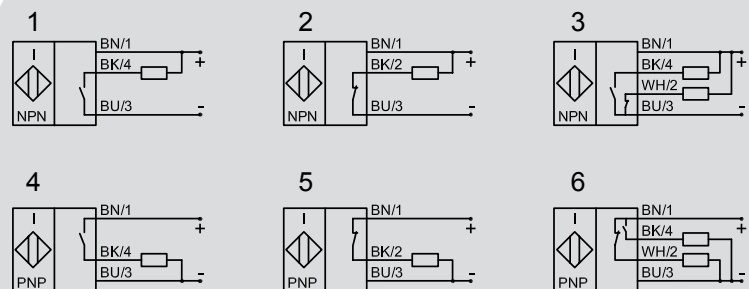
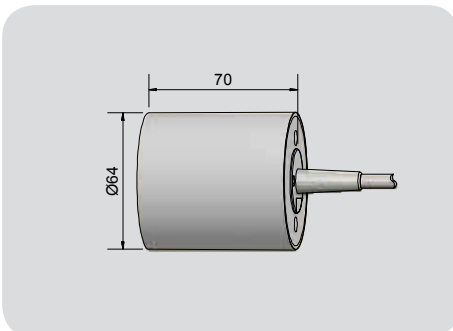
- Housing \varnothing 64 mm
- For use in zone 22
 - Housing material: PA / PPO
 - Sensing distance $S_n = 40$ mm

With manufacturer certificate

Ex II 3D Ex mc IIIC T101°C Dc IP67 X



Technical data	Non-flush mountable
Operating distance S_n	40 mm
Electrical version	4-wire DC
Output	Antivalent (NO + NC)
Type NPN	
Art.-No.	
Connection diagram No.	
Type PNP	IAS-10-62-A-3D
Art.-No.	IA 0224
Connection diagram No.	6
Operating voltage (U_B)	10...35 V DC
Voltage drop max. (U_d)	≤ 2.5 V
Permitted residual ripple max.	10 %
Operating current (I_o)	2 x 0...250 mA
No-load current (I_o)	Typ. 15 mA
Frequency of operating cycles max.	250 Hz
Permitted ambient temperature	-25...+70 °C
LED-display	Green / yellow
Protective circuit	Built-in
Degree of protection IEC 60529	IP 67
Norm	EN 60 947-5-2
Connection cable	2 m, PVC, 4 x 0.5 mm ²
Housing material	PA / PPO
Active surface	PA / PPO
Lid	PA / PPO
Accessories (not delivered with the sensor): Mounting Block # 190100 please see our selection of accessories.	



Made in Germany