



## Inductive Sensors Serie 30 - NAMUR EN 60947-5-6

Housing  $\varnothing$  6.5 mm

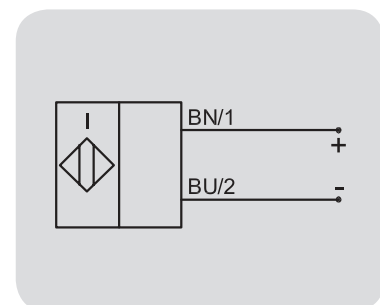
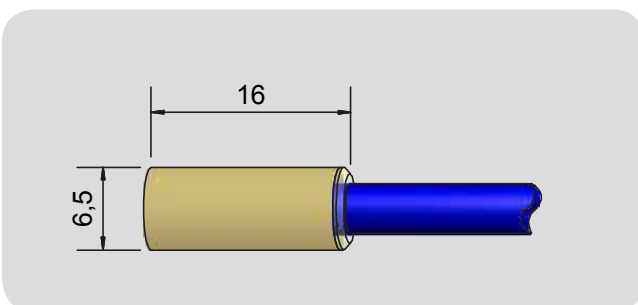
- Housing material: PEEK
- For use in areas with the risk of gas explosion, zone 0
- For use in areas with the risk of dust explosion, zone 20
- Sensing distance  $S_n = 1.5$  mm

DMT 03 ATEX E 048	IECEX BVS 07.0031
Ex II 1G Ex ia IIC T1-T6 Ga	Ex ia IIC T1-T6 Ga
Ex II 1D Ex ia IIIC T101°C Da	Ex ia IIIC T101°C Da



Technical data	Flush mountable
Operating distance $S_n$	1.5 mm
Electrical version	2-wire DC
Output	NAMUR EN 60947-5-6
<b>Type</b>	<b>IAS-30-6.5-N-K-PEEK-StEx</b>
<b>Art.-No.</b>	<b>IA 0344</b>
Operating voltage ( $U_b$ )	5 - 15 V DC, $U_i = 15$ V DC
Output current active surface free	> typ. 2 mA
Output current active surface covered	< typ. 1.5 mA
Self-inductance (L)	2 mH
Self-capacitance (C)	250 nF
Permitted residual ripple max.	5 %
Frequency of operating cycles max.	500 Hz
Permitted ambient temperature	-20...+70 °C
LED-display	-
Degree of protection IEC 60529	IP 67
Connection cable	2 m PVC, 2 x 0.14 mm <sup>2</sup>
Housing material	PEEK (FDA 21 CFR 177.2415)
Active surface	PEEK (FDA 21 CFR 177.2415)
Lid	PC

All specifications are subject to change without notice. (07.04.2016)



**Made in Germany**