



Capacitive Sensors
Series 70 - NPN
Series 80 - PNP

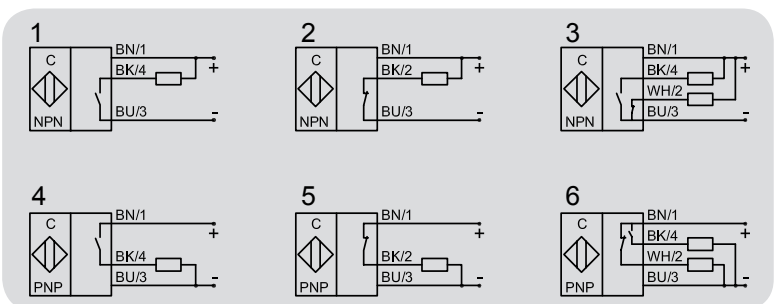
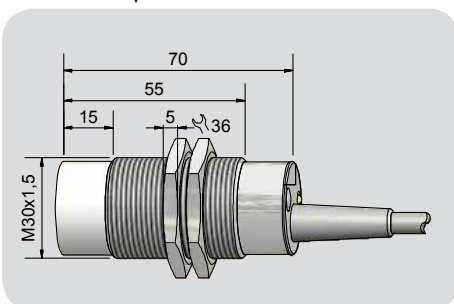
Housing M 30 x 1.5

- Housing material: Brass
- Sensing distance 2...25 mm adjustable



Technical data	Non-flush mountable
Operating distance S_n	15 mm
Operating distance min. / max. adjustable	2...25 mm
Electrical version	4-wire DC
Output	Antivalent
Type NPN	KAS-70-A24-A-PTFE/MS-NL
Art.-No.	KA 0414
Connection diagram No.	3
Type PNP	KAS-80-A24-A-PTFE/MS-NL
Art.-No.	KA 0412
Connection diagram No.	6
Operating voltage (U_b)	12...30 V DC
Voltage drop max. (U_d)	≤ 2.0 V
Permitted residual ripple max.	5 %
Operating current (I_e)	2 x 0...200 mA
No-load current (I_o)	< 15 mA
Frequency of operating cycles max.	50 Hz
Permitted ambient temperature	-25...+70 °C
LED-display	Yellow
Protective circuit	Built-in
Degree of protection IEC 60529	IP 67
Norm	EN 60947-5-2
Connection cable	2 m, PVC, 4 x 0.5 mm ²
Housing material	Brass
Active surface	PTFE (FDA 21 CFR 177.1550)
Lid	PA / PPO
Accessories (delivered with the sensor)	2 nuts M 30 x 1.5

* With sealed potentiometer screw



Made in Germany

All specifications are subject to change without notice. (12.08.2016)