



## Capacitive Sensors S26 Series 80 - PNP

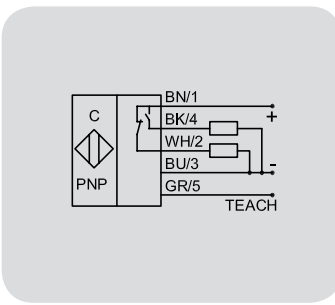
- Type of construction G 1"
- Easy Teach by wire
  - Housing material: PTFE
  - With flange connector M 12 x 1



<b>Technical data</b>	Non-flush mountable
Level sensor, in contact with the product	Medium dependent adjustable
Operating distance min. / max. adjustable	0...20 mm
Electrical version	4 - pin DC
Output function	Antivalent
<b>Type PNP</b>	<b>KAS-80-26/113-A-G1-PTFE-Y10-ETW-HP</b>
<b>Art.-No.</b>	<b>KA 1097</b>
Operating voltage (U <sub>B</sub> )	10...35 V DC
Voltage drop max. (U <sub>d</sub> )	≤ 2.0 V
Permitted residual ripple max.	10 %
Operating current (I <sub>e</sub> )	2 x 0...250 mA
No-load current (I <sub>0</sub> )	Typ. 15 mA
Frequency of operating cycles max.	Max. 15 Hz
Permitted ambient temperature	-25...+70 °C / CIP 121 °C (zero-current)
LED-display	Green / yellow
Protective circuit	Built-in
Degree of protection IEC 60529	IP 67*
Norm	EN 60947-5-2
Connection	Flange connector M 12 x 1
Housing material	PTFE (FDA 21 CFR 177.1550)
Active surface	PTFE (FDA 21 CFR 177.1550)
Lid	PA / PPO
Media optimized	Yes

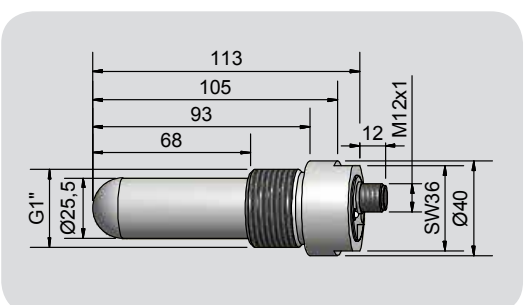
Capacitive Sensors S26 with hemispherical active surface for level control of products with a dielectric constant  $\epsilon_r$  as of 1,1. Products can be:

- Bulk material, like plastic granules, powder, cereals, etc.
- Liquids, like water, juice, wine, oil, chemicals or pharmaceutical solutions and much more.
- Pastes in the food processing industry, liquid glue, resins or glue, etc.



**Accessories** (not delivered with the sensor): For varivent adapter, triclamp adapter, welding socket and matching connectors please see our selection of accessories.

\* Position of the EasyTeach button sealed with sealing screw



**EasyTeach chart:** LED / Output function  
Yellow = A1 Green = A2

- [Green pulse] Adjustment "empty"
- [Green square wave] Initializing "empty"
- [Yellow pulse] Adjustment "full"
- [Yellow square wave] Initializing "full"
- [Green pulse] Factory reset
- [Yellow pulse] Test

**Made in Germany**

All specifications are subject to change without notice. (02/2017)