

## LevelMaster - Capacitive Sensors S26



Model G 1/2"

For level control of conductive and/or viscous liquids or pastes, for instance oil, water, ketchup or honey.

Ideal for level control in the Food Industry or Pharmaceutical Industry

- Housing material: Stainless steel VA No. 1.4305 / AISI 303
- Antivalent output (NO + NC)
- EasyTeach-Function
- With flange connector M 12 x 1



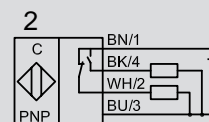
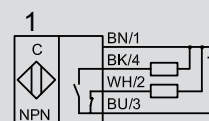
<b>Technical data</b>	Non-flush mountable
Sensitivity	Dielectric constant $\epsilon_r > 1.25$
Electrical version	4-pin DC
Output function	Antivalent
<b>Type NPN</b>	<b>KS-700-26/113-A-G1-PEEK/Vab-Y5-ET-HP</b>
<b>Art. No.</b>	<b>KA 1129</b>
Connection diagram No.	1
<b>Typ PNP</b>	<b>KS-800-26/113-A-G1-PEEK/VAb-Y5-ET-HP</b>
<b>Art. No.</b>	<b>KA 1127</b>
Connection diagram No.	2
Operating voltage ( $U_B$ )	12.5...35 V DC
Voltage drop max. ( $U_d$ )	$\leq 2.0$ V
Operating current ( $I_e$ )	0...250 mA
No-load current ( $I_o$ )	Typ. < 20 mA
Frequency of operating cycles max.	1 Hz
Permitted ambient temperature	-10...+70 °C / CIP 121 °C (zero-current)
Permitted product temperature	0...+100 °C
LED-display	Green / yellow
Protective circuit	Built-in
Degree of protection IEC 60529	IP 67, IP 69K
Norm	EN 60947-5-2*
Connection	Connector M 12 x 1
Operating pressure	Max. 10 bar
Housing material	Stainless steel VA No. 1.4305 / AISI 303
Material active surface	PEEK (FDA 21 CFR 177.2415)
Material lid	PA
<b>Accessories</b> (not supplied with the sensor): Varivent Adapter, Welding Socket and matching connectors please see our selection of accessories.	

Capacitive Sensors S26 with hemispherical active surface for level control of products with a dielectric constant  $\epsilon_r$  as of 1,25. Products can be:

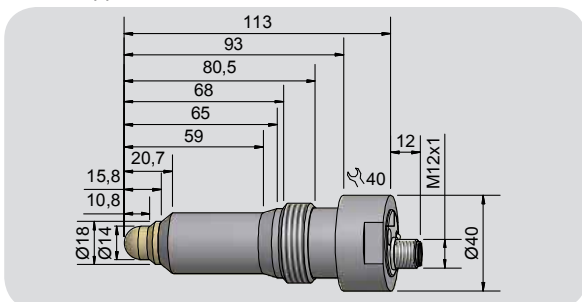
- Liquids, like, juice, wine, chemicals or pharmaceutical solutions and much more.

### Advantages:

- Measurement is independent of the mounting position
- Permitted pressure on the active area: 10 bar



\*Where applicable



**EasyTeach chart:** LED / Output function  
Yellow = A1 Green = A2



**Made in Germany**

All specifications are subject to change without notice. (02/2017)