



LevelMaster - Capacitive Sensors S26

Model G 1"

For level control of conductive and/or viscous liquids or pastes, for instance oil, water, ketchup or honey.

Ideal for level control in the Food Industry or Pharmaceutical Industry

- Housing material: Stainless steel VA No. 1.4305 / AISI 303
- Antivalent output (NO + NC)
- Adjustment of the sensitivity with ETW- Function (EasyTeach by wire)
- With flange connector M 12 x 1



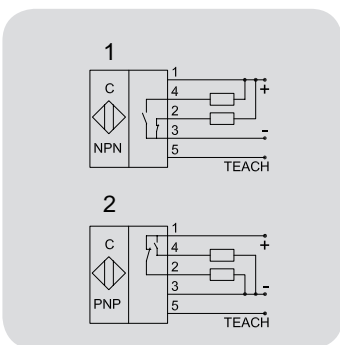
Technical data	Non-flush mountable
Sensitivity	Dielectric constant $\epsilon_r > 1.25$
Electrical version	4-pin DC
Output function	Antivalent
Type NPN	KS-700-26/113-A-G1-PEEK/Vab-Y10-ETW-HP
Art. No.	KA 1131
Connection diagram No.	1
Type PNP	KS-800-26/113-A-G1-PEEK/Vab-Y10-ETW-HP
Art. No.	KA 1135
Connection diagram No.	2
Operating voltage (U_B)	12.5...35 V DC
Voltage drop max. (U_d)	≤ 2.0 V
Operating current (I_e)	0...250 mA
No-load current (I_o)	Typ. < 20 mA
Frequency of operating cycles max.	1 Hz
Permitted ambient temperature	-10...+70 °C / CIP 121 °C (zero-current)
Permitted product temperature	0...+100 °C
LED-display	Green / yellow
Protective circuit	Built-in
Degree of protection IEC 60529	IP 67, IP 69K
Norm	EN 60947-5-2*
Connection	Connector M 12 x 1
Operating pressure	Max. 10 bar
Housing material	Stainless steel VA No. 1.4305 / AISI 303
Material active surface	PEEK (FDA 21 CFR 177.2415)
Material lid	PA
Accessories (not supplied with the sensor): Varivent Adapter, Welding Socket and matching connectors please see our selection of accessories.	

Capacitive Sensors S26 with hemispherical active surface for level control of products with a dielectric constant ϵ_r as of 1,25. Products can be:

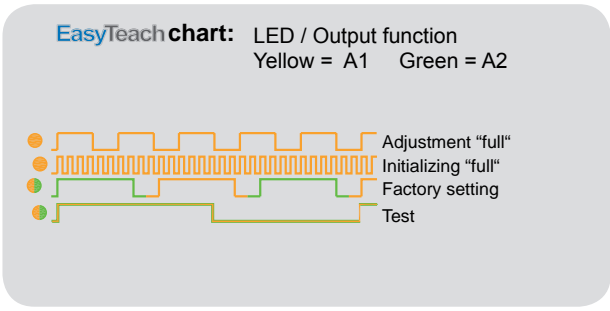
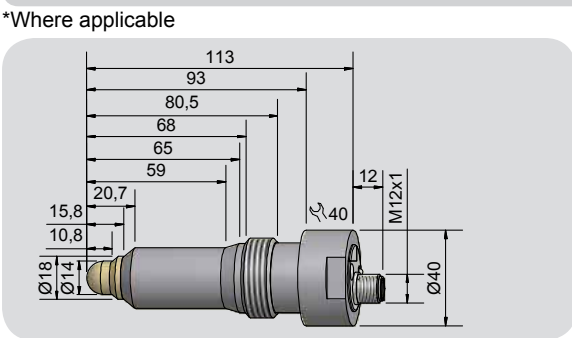
- Liquids, like, juice, wine, chemicals or pharmaceutical solutions and much more.

Advantages:

- Measurement is independent of the mounting position
- Permitted pressure on the active area: 10 bar



All specifications are subject to change without notice. (02/2017)



Made in Germany