



Capacitive Sensors with Analogue Output Series 80 - PNP

Output current 4...20 mA / 20...4 mA
Voltage output 0...10 V / 10...0 V

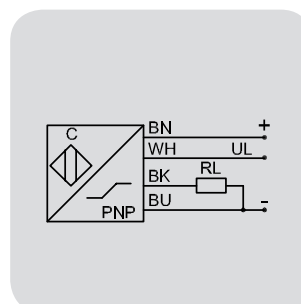
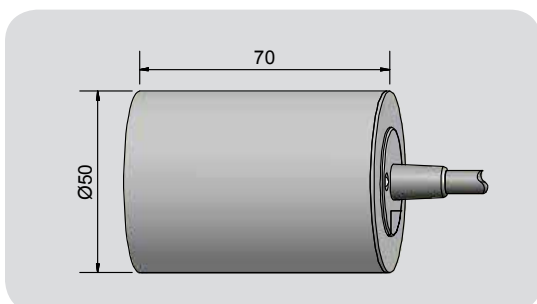
- Housing Ø 50mm
- Housing material: PA / PPO
 - Operating range 0...40 mm
 - Current and voltage output in the same sensor.



Technical data	Flush mountable	Flush mountable
Operating range	0...40 mm	0...40 mm
Linear range	0...30 mm	0...30 mm
Electrical version	4-wire DC	4-wire DC
Output function	Analogue	Analogue
Type Analogue	KAS-80-50-K-IL20/UL10-PPO	KAS-80-50-K-IL4/UL0-PPO
Art. No.	KA 1249	KA 1248
Operating voltage (U _B)	15...30 V DC	15...30 V DC
Output signal	20...4 mA, 10...0 V	4...20 mA, 0...10 V
Permitted residual ripple max.	5 %	5 %
No-load current (I ₀)	≤ 40 mA	≤ 40 mA
Output current active surface free	≥ 20 mA	≤ 4 mA
Output current active surface covered	≤ 4 mA	≥ 20 mA
Load resistor (R _L)	0...600 Ohm	0...600 Ohm
Permitted ambient temperature	0...+70 °C	0...+70 °C
LED-display	Yellow / green	Yellow / green
Protective circuit	Built-in	Built-in
Degree of protection IEC 60529	IP 67*	IP 67*
Norm	EN 60947-5-2**	EN 60947-5-2**
Connection	2 m, PVC, 4 x 0.5 mm ²	2 m, PVC, 4 x 0.5 mm ²
Housing material	PA / PPO	PA / PPO
Active surface	PA / PPO	PA / PPO
Lid	PA / PPO	PA / PPO

* With sealed potentiometer screw

** Where applicable



Assessors for mounting (is not delivered with the probe) please see our selection of accessories.

Made in Germany