



Capacitive Sensors with Analogue Output Series 80 - PNP

Output current 4...20 mA / 20...4 mA
Voltage output 0...10 V / 10...0 V

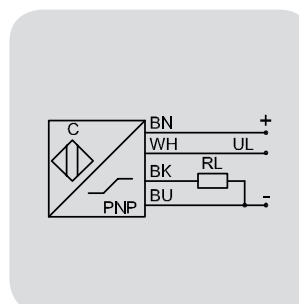
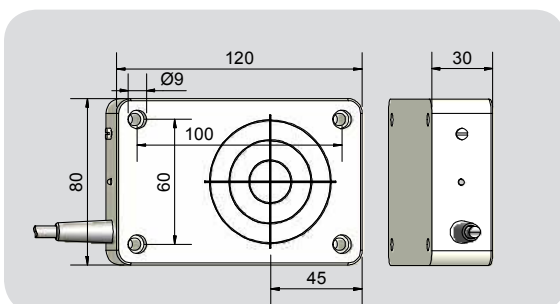
- Housing 120 x 80 x 30 mm
- Housing material: PBT
 - Operating range 0...40 mm
 - Current and voltage output in the same sensor.



Technical data	Flush mountable	Flush mountable
Operating range	0...40 mm	0...40 mm
Linear range	0...30 mm	0...30 mm
Electrical version	4-wire DC	4-wire DC
Output function	Analogue	Analogue
Type Analogue	KAS-80-C30-F-80/120-IL20/UL10	KAS-80-C30-F-80/120-IL4/UL0
Art. No.	KA 1263	KA 1264
Operating voltage (U_B)	15...30 V DC	15...30 V DC
Output signal	20...4 mA, 10...0 V	4...20 mA, 0...10 V
Permitted residual ripple max.	5 %	5 %
No-load current (I_0)	≤ 40 mA	≤ 40 mA
Output current active surface free	≥ 20 mA	≤ 4 mA
Output current active surface covered	≤ 4 mA	≥ 20 mA
Load resistor (R_L)	0...600 Ω	0...600 Ω
Permitted ambient temperature	0...+70 °C	0...+70 °C
LED-display	Yellow / green	Yellow / green
Protective circuit	Built-in	Built-in
Degree of protection IEC 60529	IP 65*	IP 65*
Norm	EN 60947-5-2, EN 60947-5-7**	EN 60947-5-2, EN 60947-5-7**
Connection	2 m, PVC, 4 x 0.5 mm ²	2 m, PVC, 4 x 0.5 mm ²
Housing material	PBT	PBT
Active surface	PBT	PBT
Lid	PBT	PBT

* With sealed potentiometer screw

** Where applicable



Made in Germany