



LevelMaster - Capacitive Sensors S26

Model G 3/8"

For level control of conductive and/or viscous liquids or pastes, for instance oil, water, ketchup or honey.

Ideal for level control in the Food Industry or Pharmaceutical Industry

- Housing material: Stainless steel VA No. 1.4305 / AISI 303
- Antivalent output (NO + NC)
- EasyTeach-Function
- With flange connector M 12 x 1



Technical data	Non-flush mountable
Sensitivity	Dielectric constant $\epsilon_r > 1.25$
Electrical version	4-pin DC
Output function	Antivalent
Typ PNP	KS-800-26/113-A-G3/8-PEEK/VAb-Y5-ET-HP
Art. No.	KA 1265
Operating voltage (U_B)	12.5...35 V DC
Voltage drop max. (U_d)	≤ 2.0 V
Operating current (I_o)	0...250 mA
No-load current (I_o)	Typ. < 20 mA
Frequency of operating cycles max.	1 Hz
Permitted ambient temperature	-10...+70 °C / CIP 121 °C (zero-current)
Permitted product temperature	0...+100 °C
LED-display	Green / yellow
Protective circuit	Built-in
Degree of protection IEC 60529	IP 67, IP 69K
Norm	EN 60947-5-2*
Connection	Connector M 12 x 1
Operating pressure	Max. 10 bar
Housing material	Stainless steel VA No. 1.4305 / AISI 303
Material active surface	PEEK (FDA 21 CFR 177.2415)
Material lid	PA

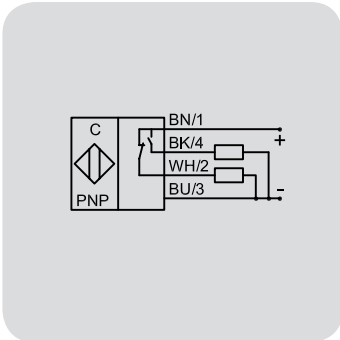
Accessories (not supplied with the sensor): For matching connectors please see our selection of accessories.

Capacitive Sensors S26 with hemispherical active surface for level control of products with a dielectric constant ϵ_r as of 1,25. Products can be:

- Liquids, like, juice, wine, chemicals or pharmaceutical solutions and much more.

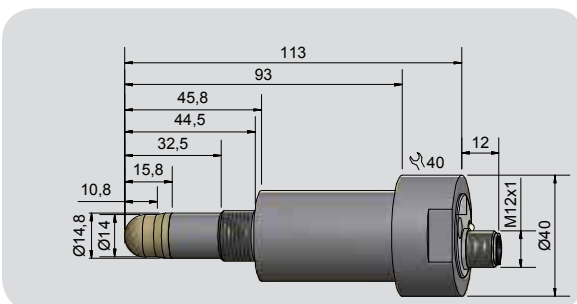
Advantages:

- Measurement is independent of the mounting position
- Permitted pressure on the active area: 10 bar

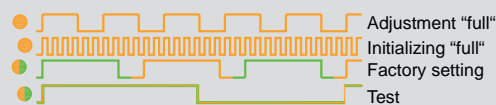


All specifications are subject to change without notice. (02/2017)

*Where applicable



EasyTeach chart: LED / Output function
Yellow = A1 Green = A2



Made in Germany