



## Capacitive Sensors Series 90 - AC / DC

Housing M 30 x 1.5

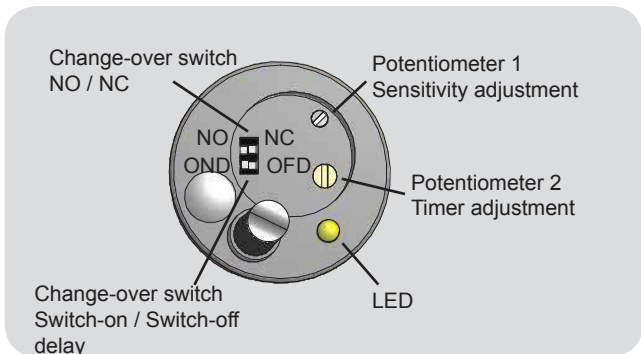
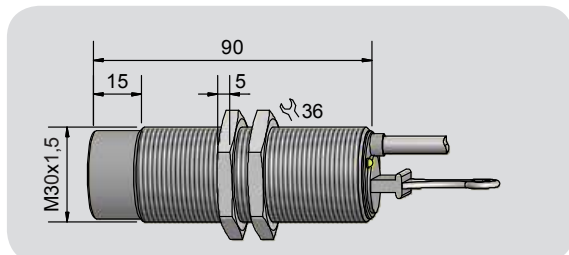
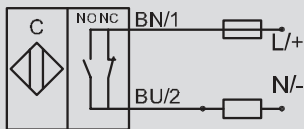
- Housing material: PBT
- Sensing distance 2...20 mm adjustable
- NO and NC function changeable
- Switch-on and switch-off delay changeable
- Adjustable timer 1 sec - 10 min.



### Technical data

	Non-flush mountable
Operating distance $S_n$	15 mm
Operating distance min. / max. adjustable	2...20 mm
Electrical version	2-wire AC / DC
Output	Normally open or normally closed
<b>Type</b>	<b>KAS-90-A24/90-P-K-PBT-TD-NL</b>
<b>Art.-No.</b>	<b>KA 1293</b>
Operating voltage ( $U_B$ )	20...250 V AC / DC
Voltage drop max. ( $U_d$ )	≤ 6.0 V
Operating current ( $I_e$ )	5...330 mA
No-load current ( $I_o$ )	< 2.5 mA
Frequency of operating cycles max.	2 Hz
Permitted ambient temperature	-25...+70 °C
LED-display	Yellow
Protective circuit	Built-in
Degree of protection IEC 60529	IP 67*
Norm	EN 60947-5-2
Connection cable	2 m, PVC, 2 x 0.75 mm <sup>2</sup>
Housing material	PBT
Active surface	PBT
Lid	PBT
<b>Accessories</b> (is delivered with the unit)	2 nuts PA, M 30

\*With sealed potentiometer



**Made in Germany**