



## Capacitive Sensors with Analogue Output Series 80 - PNP

**Output current** 4...20 mA / 20...4 mA  
**Voltage output** 0...10 V / 10...0 V

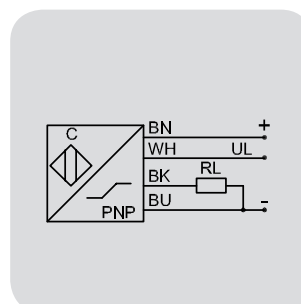
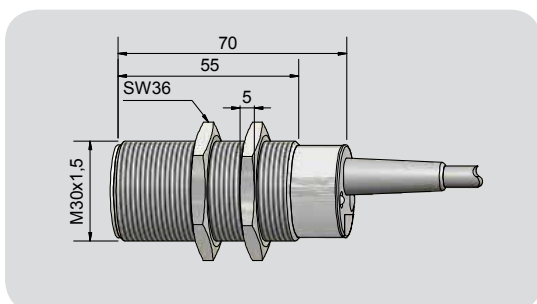
- Housing M 30 x 1.5
- Housing material: Brass
  - Operating range 0...20 mm
  - Current and voltage output in the same sensor.



Technical data	Flush mountable	Flush mountable
Operating range	0...20 mm	0...20 mm
Linear range	0...14 mm	0...14 mm
Electrical version	4-wire DC	4-wire DC
Output function	Analogue	Analogue
<b>Type Analogue</b>	<b>KAS-80-A14-IL20/UL10</b>	<b>KAS-80-A14-IL4/UL0</b>
<b>Art. No.</b>	<b>KA 1313</b>	<b>KA 1312</b>
Operating voltage ( $U_b$ )	15...30 V DC	15...30 V DC
Output signal	20...4 mA, 10...0 V	4...20 mA, 0...10 V
Permitted residual ripple max.	5 %	5 %
No-load current ( $I_0$ )	$\leq 40$ mA	$\leq 40$ mA
Output current active surface free	$\geq 20$ mA	$\leq 4$ mA
Output current active surface covered	$\leq 4$ mA	$\geq 20$ mA
Load resistor ( $R_L$ )	0...600 Ohm	0...600 Ohm
Permitted ambient temperature	0...+70 °C	0...+70 °C
LED-display	Yellow / green	Yellow / green
Protective circuit	Built-in	Built-in
Degree of protection IEC 60529	IP 67*	IP 67*
Norm	EN 60947-5-2, EN 60947-5-7**	EN 60947-5-2, EN 60947-5-7**
Connection	2 m, PVC, 4 x 0.5 mm <sup>2</sup>	2 m, PVC, 4 x 0.5 mm <sup>2</sup>
Housing material	Brass	Brass
Active surface	PTFE (FDA 21 CFR 177.1550)	PTFE (FDA 21 CFR 177.1550)
Lid	PA / PPO	PA / PPO

\* With sealed potentiometer screw

\*\* Where applicable



**Accessories**  
(is delivered with the unit)  
2 pieces nuts M 30

**Made in Germany**

All specifications are subject to change without notice. (19.11.2014)