



Capacitive Sensors Series 80 - PNP

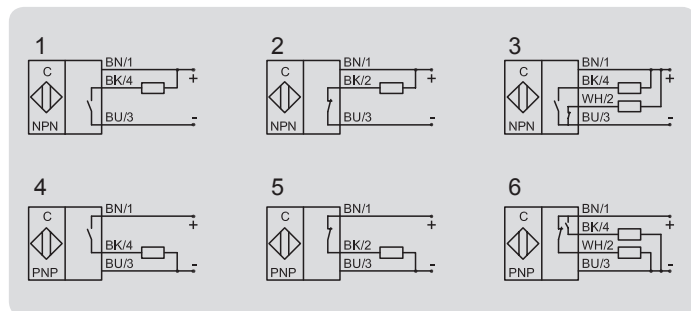
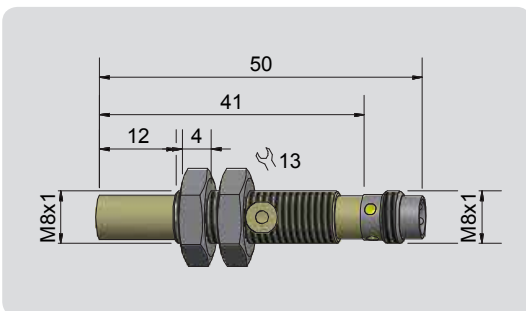
Housing M 8 x 1

- Housing material: PEEK (FDA 21 CFR 177.2415)
- Sensing distance 0.5...4 mm adjustable with 270° potentiometer
- With flange connector M 8 x 1



Technical data	Non-flush mountable
Operating distance S_n	2 mm
Operating distance min. / max. adjustable	0.5...4 mm
Electrical version	3 pin DC
Output function	Normally open
Type NPN	
Art.-No.	
Connection diagram No.	
Type PNP	
KAS-80-A21-S-K-PEEK-Y7	
Art.-No.	
KA 1380	
Connection diagram No.	
4	
Operating voltage (U_B)	10...35 V DC
Voltage drop max. (U_d)	≤ 2.0 V
Permitted residual ripple max.	10 %
Operating current (I_a)	0...150 mA
No-load current (I_o)	Typ. 15 mA
Frequency of operating cycles max.	50 Hz
Permitted ambient temperature	-25...+70 °C
LED-display	Yellow
Protective circuit	Built-in
Degree of protection IEC 60529	IP 67*
Norm	EN 60947-5-2
Connection	Flange connector M 8 x 1
Housing material	PEEK (FDA 21 CFR 177.2415)
Active surface	PEEK (FDA 21 CFR 177.2415)
Lid	-
Accessories (is delivered with the sensor)	2 nuts M 8 x 1
For matching connectors please see our selection of accessories.	

* With sealed potentiometer screw



Made in Germany