



## Capacitive Sensors with analogue output Series 40 - NAMUR EN 60947-5-6

Housing M 30 x 1.5

- For use in areas with the risk of gas explosion, zone 0
- For use in areas with the risk of dust explosion, zone 20
- Housing material: Brass
- Operating range 0...24 mm
- Output current 20...4 mA

DMT 03 ATEX E 048

IECEX BVS 07.0031

II 1G Ex ia IIC T1-T6 Ga

Ex ia IIC T1-T6 Ga

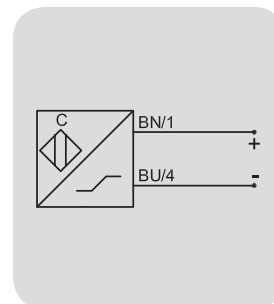
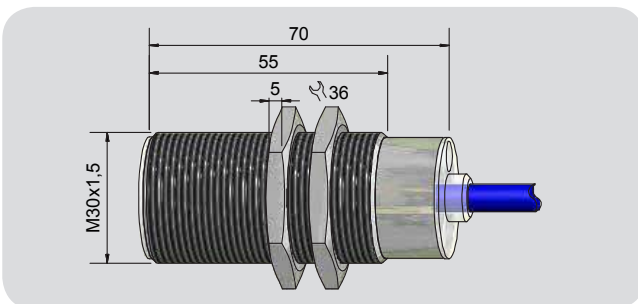
II 1D Ex ia IIIC T101°C Da

Ex ia IIIC T101°C Da



<b>Technical data</b>	Flush mountable
Operating range	0...24 mm
Linear range	2...19 mm
Electrical version	2-wire DC
Output function	Analogue
<b>Type Analogue</b>	<b>KAS-40-A14-IL20-StEx</b>
<b>Art. No.</b>	<b>KA 1394</b>
Operating voltage ( $U_B$ )	15...35 V DC, $U_i = 27$ V DC
Power consumption active surface free	$\geq 20$ mA
Power consumption active surface covered	$\leq 4$ mA
Load resistor	$R_L$ 0...500 Ohm
Self-inductance (L)	0.2 mH
Self-capacitance (C)	89 nF
Permitted residual ripple max.	5 %
Frequency of operating cycles max.	50 Hz
Permitted ambient temperature	0...+70 °C
LED-display	-
Degree of protection IEC 60529	IP 67*
Norm	EN 60947-5-6
Connection cable	2 m, PUR, 2 x 0.75 mm <sup>2</sup>
Housing material	Brass
Active surface	PTFE (FDA 21 CFR 177.1550)
Lid	PC
<b>Accessories</b> (delivered with the unit)	2 nuts M 30 x 1,5

\* With sealed potentiometer screw



Made in Germany