

Capacitive Sensors Series 80 - PNP

Housing M 8 x 1

- Housing material: PEEK (FDA 21 CFR 177.2415)
- Level control

With manufacturer certificate

for use in zone 22

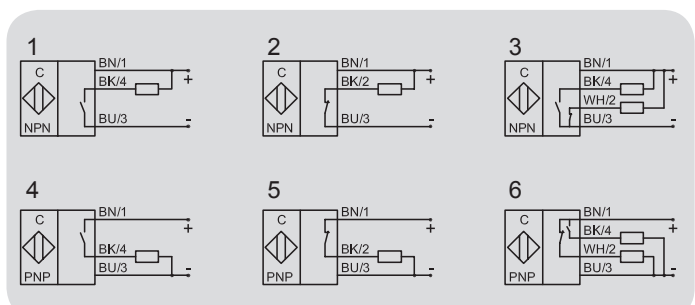
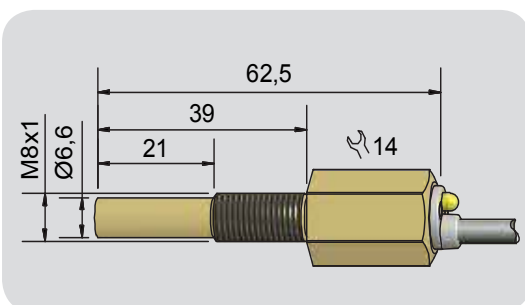
II 3D Ex mc IIIC T101°C Dc IP67 X



Technical data	Non-flush mountable
Level sensor, in contact with the product	Medium dependent
Operating distance S_n	4.5 mm
Electrical version	3 wire DC
Output function	Normally open
Type PNP	KAS-80-A21/61-S-K-PEEK-3D
Art.-No.	KA 1420
Connection diagram No.	4
Operating voltage (U_b)	10...35 V DC
Voltage drop max. (U_d)	≤ 2.0 V
Permitted residual ripple max.	10 %
Operating current (I_e)	0...150 mA
No-load current (I_o)	Typ. 15 mA
Frequency of operating cycles max.	50 Hz
Permitted ambient temperature	-25...+70 °C
LED-display	Yellow
Protective circuit	Built-in
Degree of protection IEC 60529	IP 67*
Norm	EN 60947-5-2
Connection cable	2 m, PUR, 3 x 0.14 mm ²
Housing material	PEEK (FDA 21 CFR 177.2415)
Active surface	PEEK (FDA 21 CFR 177.2415)
Lid	PA / PPO
Media optimized	Yes

* With sealed potentiometer screw

All specifications are subject to change without notice. (01.04.2016)



Made in Germany