



## Capacitive Sensors - NAMUR EN 60947-5-6 Series 40

Housing M 8 x 1

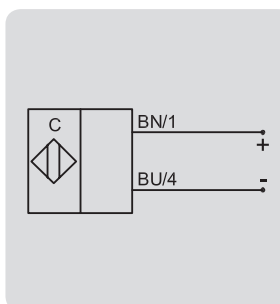
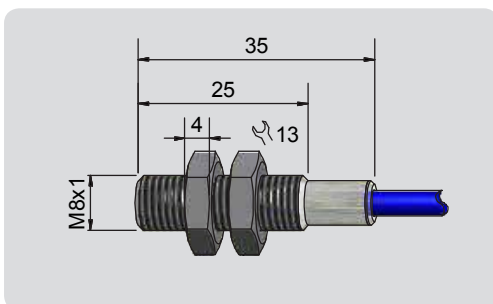
- For use in areas with the risk of dust explosion, zone 20
- For use in areas with the risk of gas explosion, zone 0
- Housing material: Brass
- Sensing distance  $S_n = 0.5 \text{ mm}$

DMT 03 ATEX E 048	IECEX BVS 07.0031
II 1G Ex ia IIC T1-T6 Ga	Ex ia IIC T1-T6 Ga
II 1D Ex ia IIIC T101°C Da	Ex ia IIIC T101°C Da



<b>Technical data</b>	Flush mountable
Operating distance $S_n$	0.5 mm
Electrical version	2-wire DC
Output function	NAMUR EN 60947-5-6
<b>Type</b>	<b>KAS-40-A11-N-StEx</b>
<b>Art. No.</b>	<b>KA 1431</b>
Operating voltage ( $U_b$ )	5 - 15 V DC, $U_i = 15 \text{ V DC}$
Output current active surface free	< typ. 1.5 mA
Output current active surface covered	> typ. 2.5 mA
Self-inductance (L)	0.2 mH
Self-capacitance (C)	250 nF
Permitted residual ripple max.	5 %
Frequency of operating cycles max.	50 Hz
Permitted ambient temperature	-20...+70 °C
Degree of protection IEC 60529	IP 67
Connection cable	2 m, PVC, 2 x 0.14 mm <sup>2</sup>
Housing material	Brass
Active surface	PTFE (FDA 21 CFR 177.1550)
Lid	PC (FDA 21 CFR 177.1580)
<b>Accessories</b> (delivered with the unit)	2 nuts M 8 x 1

All specifications are subject to change without notice. (25.07.2016)



Matching Ex barriers can be offered on request.

When installing it is essential to protect against electrostatic charge build-up by ensuring that the metal body of the sensor is electrically grounded.

**Made in Germany**