

Capacitive Sensors Serie 40 - NAMUR EN 60947-5-6

Housing M 12 x 1

- For use in areas with the risk of gas explosion, zone 0
- For use in areas with the risk of dust explosion, zone 20
- Housing material: PEEK
- Sensing distance 1...6 mm adjustable

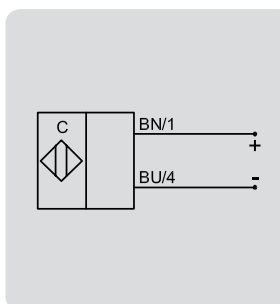
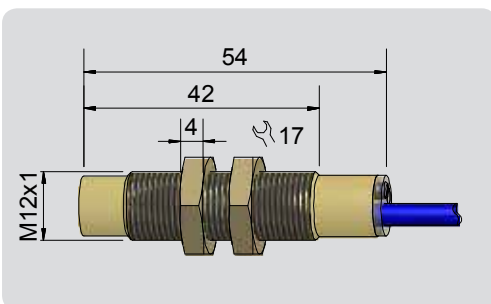
DMT 03 ATEX E 048	IECEX BVS 07.0031
II 1G Ex ia IIC T1-T6 Ga	Ex ia IIC T1-T6 Ga
II 1D Ex ia IIIC T101°C Da	Ex ia IIIC T101°C Da



Technical data	Non-flush mountable
Operating distance S_n	4 mm
Operating distance min. / max. adjustable	1...6 mm
Electrical version	2-wire DC
Output function	NAMUR DIN 60947-5-6
Type	KAS-40-A22-N-K-PEEK-StEx
Art. No.	KA 1442
Operating voltage (U_B)	5 - 15 V DC, $U_i = 15$ V DC
Output current active surface free	< typ. 1.5 mA
Output current active surface covered	> typ. 2.5 mA
Self-inductance (L)	0.2 mH
Self-capacitance (C)	250 nF
Permitted residual ripple max.	5 %
Frequency of operating cycles max.	50 Hz
Permitted ambient temperature	-20...+70 °C
LED-display	Yellow
Degree of protection IEC 60529	IP 67*
Connection cable	2 m, PUR, 2 x 0.14 mm ²
Housing material	PEEK (FDA 21 CFR 177.2415)
Active surface	PEEK (FDA 21 CFR 177.2415)
Lid	PC
Accessories (delivered with the unit)	2 nuts M 12 x 1

*With sealed potentiometer screw

All specifications are subject to change without notice. (13.09.2016)



Matching Ex barriers can be offered on request.

Made in Germany