



Capacitive Filling Level Probe - KFX - ATEX
Series: ^{PER}LEV&L COMPACT
NPN Output - Normally Closed
PNP Output - Normally Closed
2 Limit value switching points

- Integrated evaluation electronics
- For use in areas with the risk of dust explosion, zone 20
- For use in areas with the risk of gas explosion, zone 1
- Housing material: PTFE, 16 mm Ø
- Connection head and process connection stainless steel VA
- Process connection 1"
- Probe length max. 2000 mm

Certificate:

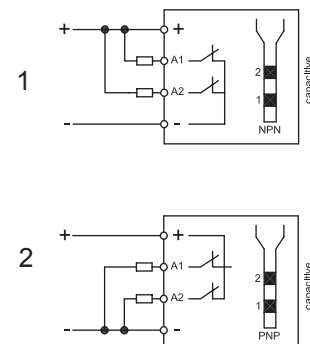
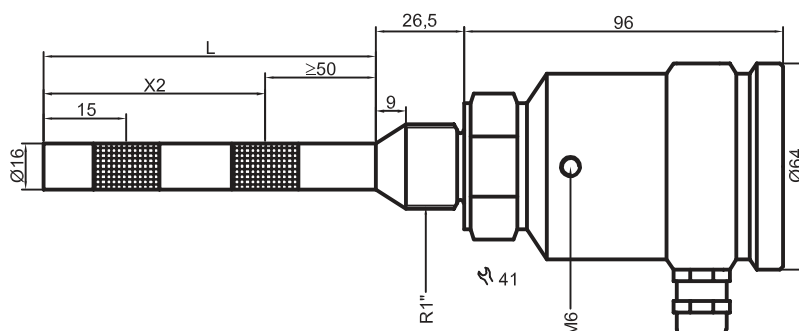


BVS 05 ATEX E 185	IECEX BVS 07.0032
⇄ II 2G Ex mb II T4	Ex mb II T4
⇄ II 1/2 D IP 67 T 110°C	Ex tD A20/21 IP 67 T110°C

Technical data

Active zone	10...25 mm, related to probe tip + 1 x type specific X2
Electrical version	4 connections DC
Output function	Normally closed
Type	KFX-5-2-"L"-15/X2-N-Ö-VA-1"-StEx
Connection diagram No.	1
Type	KFX-5-2-"L"-15/X2-P-Ö-VA-1"-StEx
Connection diagram No.	2
Operating voltage (U_b)	18...30 V DC
Output current max. (I_o)	2 x 100 mA
Voltage drop max. (U_d)	≤ 2,5 V
Permitted residual ripple max.	40 %
No-load current (I_o)	Typ. 50 mA
Switching frequency max.	4 Hz
Permitted ambient temperature	-25...+55 °C
Permitted ambient temperature (for active zone)	-25...+100 °C
LED-display	Green / yellow
Protective circuit	Build-in
Degree of protection IEC 60529	IP 67
Norm	EN 60947-5-2
Connection cable	10 m, PVC, 4 x 0,5 mm ²
Housing material	VA No. 1.4571
Active zone	PTFE

All specifications are subject to change without notice. (10/2008)



Please determine the total length „L“ and the position of the second switching point „X2“ when ordering.

Made in Germany