



## Capacitive sensors Series - KXS-Extreme

Housing M 12 x 1

- Housing material: Stainless steel VA No. 1.4305 / AISI 303
- For connection to capacitive evaluation units KXA-...-MINI
- Extreme large sensing distance
- Up to 250° C ambient temperature

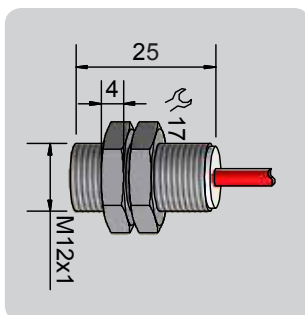


### Technical data

Operating distance $S_n$	6 mm
Operating distance min / max adjustable	1...10 mm
Mounting	Flush
<b>Type</b>	<b>KXS-M12/25-B</b>
<b>Art.-No.</b>	<b>KX 0099</b>
Permitted ambient temperature	-70...+250 °C
Enclosure rating IEC 60529*	IP 67
Norm	EN 60947-5-2
Connection cable for connection to capacitive evaluation units KXA-...-MINI with plug-in connector	2 m FEP, Triax
Housing material	VA No. 1.4305 / AISI 303
Active surface	PEEK (FDA 21 CFR 177.2415)

\*Enclosure rating IEC 60529 for connector on request.

All specifications are subject to change without notice. (16.06.2015)



**Made in Germany**