



Transmitter Power Supply

N-132/2/4-20-IL - Analogue Output 4...20 mA

- For connection of 2 ATEX certified 2-wire analogue sensors e. g. our KAS-40...IL with 4...20 mA output signal
- Transmitter for use in areas with the risk of gas explosion, zone 2
- Galvanic isolation between input, output and power supply
- Compact design - only 17.6 mm width
- Removable screw terminals
- Indication sensor wire-break or shortcircuit via relay contact

Certificate:

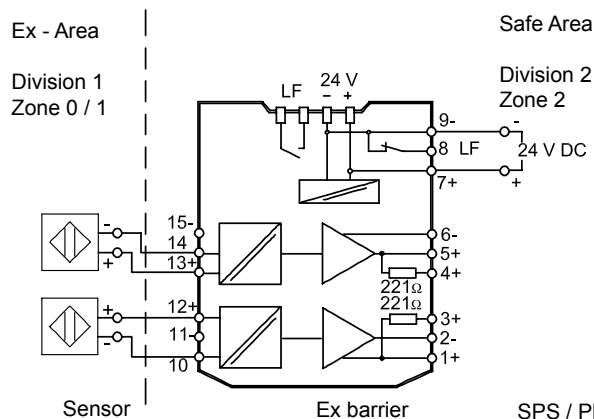
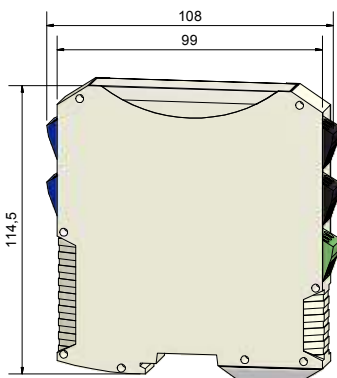


DMT 09 ATEX E 129X	IECEX BVS 10.0087X
Ex II 3 (1) G Ex nA nC [ia] IIC T4	Ex nA nC [ia Ga] IIC T4 Gc
Ex II (1) D [Ex iaD]	[Ex ia Da] IIC



Technical data

Type		N-132/2/4-20-IL
Art. No.		N 00023
Safety Data (GENELEC)	Max. voltage U_0	27 V
	Max. current I_0	88 mA
	Max. power P_0	576 mW
	Internal capacitance C_i and inductance L_i	Negligible
	Max. connectable capacitance C_0 IIC / IIB	90 nF / 705 nF
	Max. connectable inductance L_0 IIC / IIB	2.3 mH / 14 mH
Power supply	Insulation voltage U_m	253 V
	Nominal voltage U_N	24 V DC
	Voltage range	18...31.2 V DC
	Nominal current (with U_N and I_{Amax})	125 mA
Ex i Input	Power consumption (with U_N and I_{Amax})	3 W
	Transmitter supply voltage	16 V
Output	Input signal	0/4...20 mA
	Resistance range (load)	600 Ω
Ambient conditions	Output range	0/4...20 mA
	Ambient temperature	-20...+70 °C
	Storage temperature	-40...+80 °C
LED-Display	Relative humidity (no condensation)	< 95 %
Degree of protection IEC 60529	LED-Display	Red / yellow and green
Norm	Degree of protection IEC 60529	Housing: IP30 Terminals: IP20
Connection	Norm	EN 60947-5-6
	Connection	Screw terminals



All specifications are subject to change without notice. (09/2011)